



JOHN DEERE

Product Services Information

INSTALLATION INSTRUCTIONS

(Includes English, French, German, Spanish and Italian)

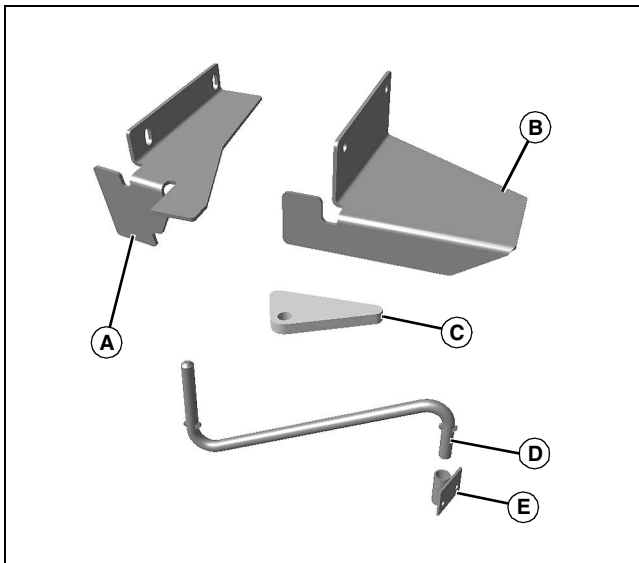


JOHN DEERE

MOUNTING POWER FLOW ON 54D AND 62D MOWER DECKS

Parts in Kit

NOTE: This kit will make your current power flow work with 54 and 62 inch D-series mower decks.



MX37751

Qty.	Description
1	Shield, Deck (54D) (A)
1	Shield, Deck (62D) (B)
1	Spacer (C)
1	Pin, Bent (62D only) (D)
1	Bracket, Front Mounting (E)
2	Locknut, M8
2	Bolt, M8x25
1	Carriage Bolt, M8x35

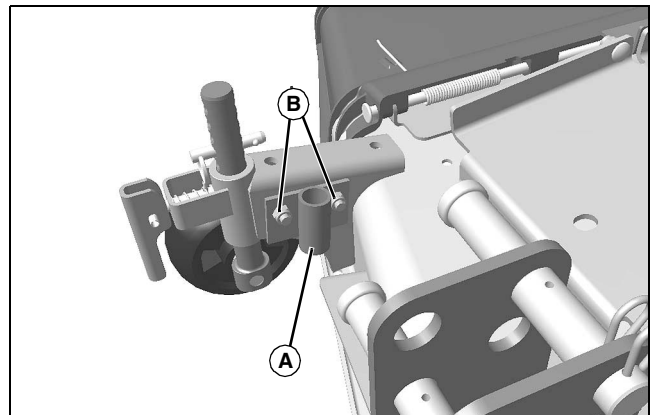
NOTE: Retain these installation instructions with your machine operator's manual.

Parking Safely

1. Stop vehicle on a level surface, not on a slope.
2. Lock park brake.
3. Stop engine.
4. Remove key.
5. Before you leave the operator's seat, wait for engine and all moving parts to stop.
6. Disconnect the negative battery cable or remove the spark plug wire (for gasoline engines) before servicing the machine.

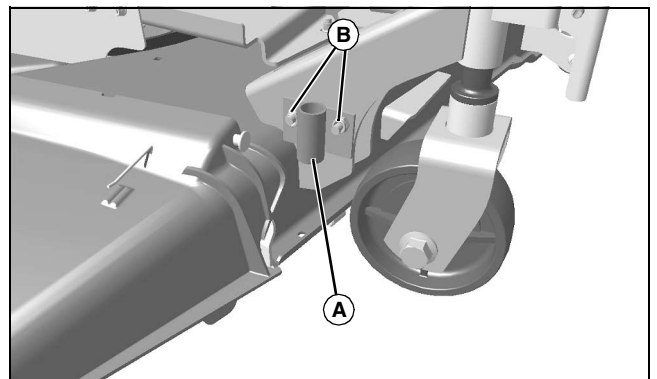
Install Front Mounting Bracket

NOTE: If not already installed, install rear mower baffle before installing power flow onto mower deck. See your power flow operator manual.



MX37752

Picture Note: 54D Location shown.



MX37753

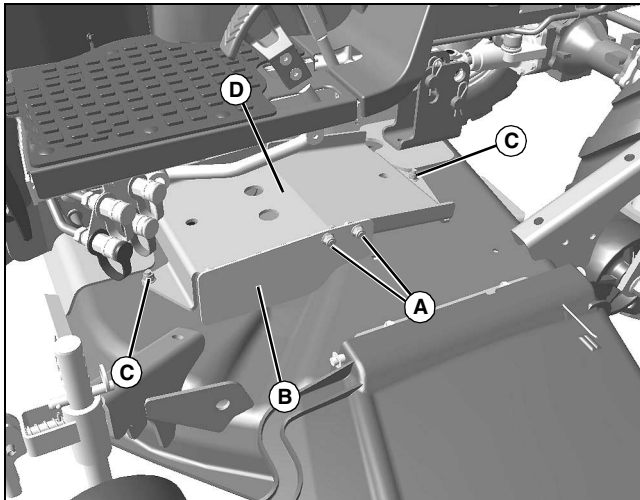
Picture Note: 62D Location shown.

1. Install front mounting bracket (A) on inside of right front gage wheel bracket for 54D decks and outside of bracket

on 62D decks, as shown. Secure with two M8x25 bolts and M8 locknuts (B). Tighten to 20-40 N•m (15-29 lb-ft).

Install Power Flow

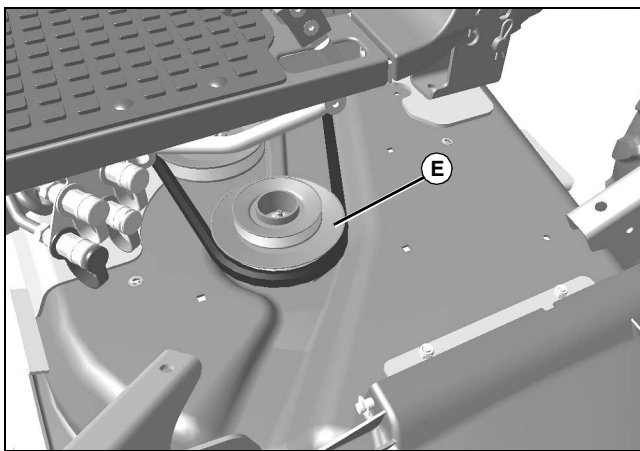
1. If deck is not already installed, drive over right and left mower ramps, and install deck onto machine.
2. Park machine safely.



MX37754

Picture Note: 62D Model shown.

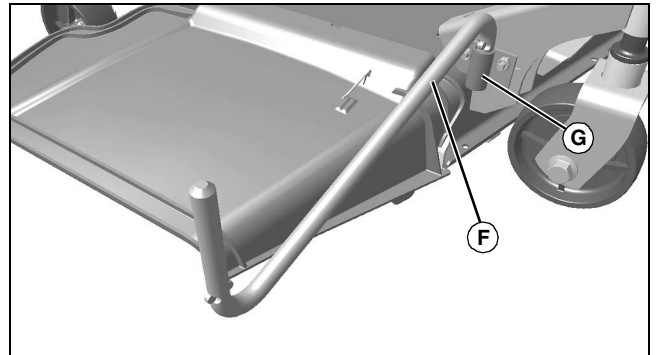
3. Remove hardware (A) for right side shield (B). Remove side shield, and retain hardware for installing new shield.
4. Remove hardware (C) and right ramp (D).



MX37755

5. If not already installed, remove current right sheave, and install double sheave (E) onto right side. (See your power flow operator manual.)

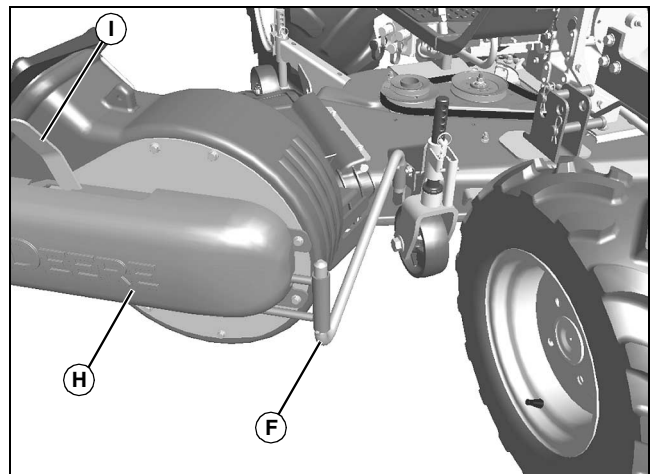
NOTE: Use the bent pin that comes with your Power Flow kit for the 54D mower deck. Use the bent pin in this kit for the 62D mower deck.



MX37756

Picture Note: 62D Model shown.

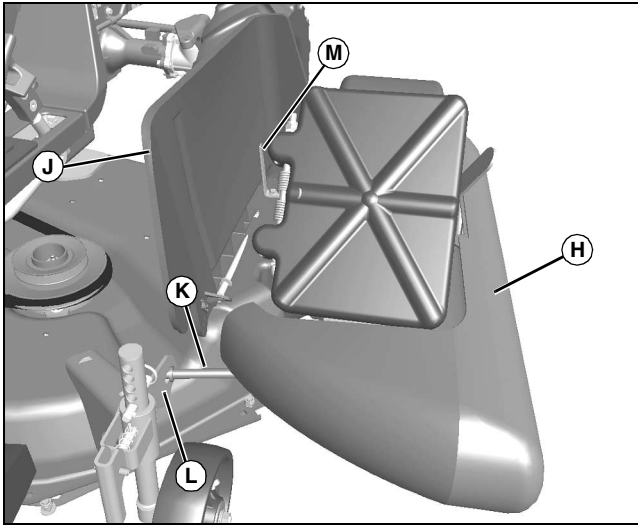
6. Install short end of long bent pin (F) in front mounting bracket (G).



MX37757

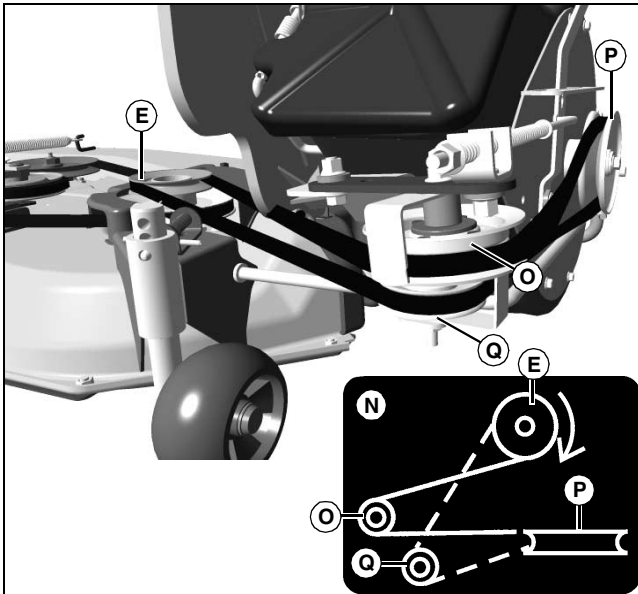
Picture Note: 62D Model shown.

7. Install power flow (H) on long end of bent pin (F).
8. Move tension lever (I) forward to release position.



MX37758

9. Fully raise mower deck discharge chute (J), and pivot power flow (H) toward deck. Insert straight pin (K) into hole in right rear gage bracket (L). Lower discharge chute, so it rests on bracket (M).

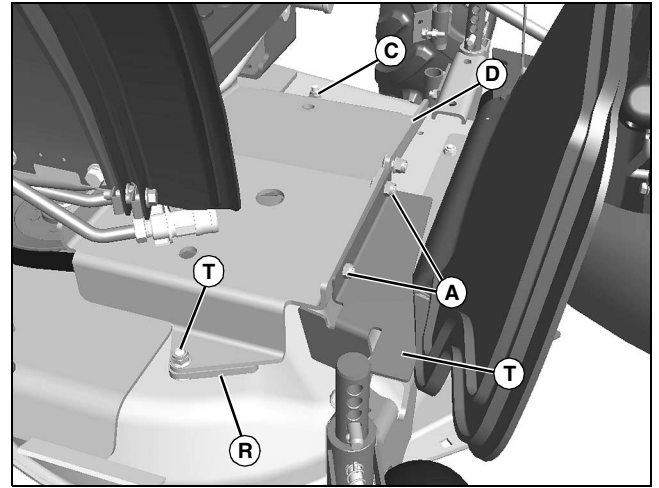


M146337, MX10022

10. Remove hardware for power flow belt shield. Locate belt installation label (N) on inside of power flow belt shield, and verify correct drive belt installation. The drive belt must run:

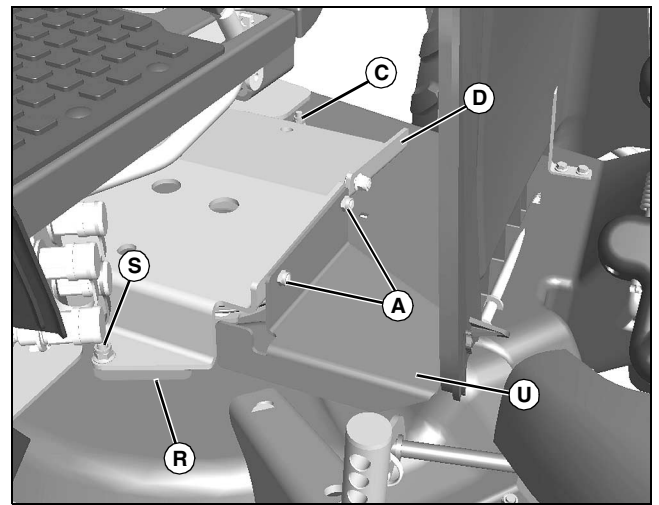
- a. from mower deck top sheave (E),
- b. to idler (O),
- c. to top of sheave (P),
- d. to V-idler sheave (Q),
- e. back to mower deck top sheave (E).

11. Move tension lever on power flow rearward to the locked position.



MX37759

Picture Note: 54D Model shown.



MX37760

Picture Note: 62D Model shown.

12. Install right ramp (D), with spacer (R). Secure with hardware (C), removed earlier, in front, and M8x35 carriage bolt (S) in kit, and M8 nut, removed earlier, in rear.

13. Install new shield (T) or (U), and secure with hardware (A), removed earlier.

14. Adjust mower deck and complete bagger installation. (See your power flow and/or bagger operator manual.)