



JOHN DEERE

# Product Services Information

## INSTALLATION INSTRUCTIONS

(Includes English, French, German, Spanish and Italian)



JOHN DEERE

### CARGO BOX DIVIDER KIT

#### Parts in Kit

Qty.	Description
1	Divider, Main
2	Divider, Small
2	U-Channel, Divider
2	Clamp
4	Bolt, M6x16

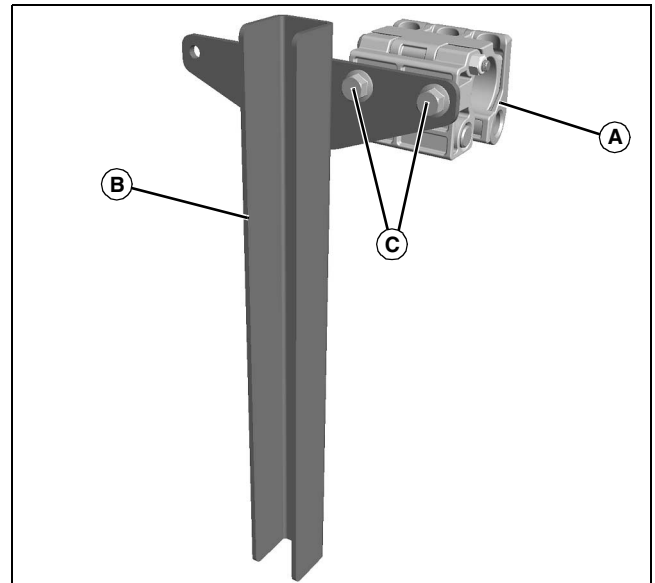
Not all parts in kit will be used depending on machine model installation.

**NOTE: Retain these installation instructions with the machine operator's manual.**

#### Parking Safely

1. Stop vehicle on a level surface, not on a slope.
2. Lock park brake.
3. Stop engine.
4. Remove key.
5. Before you leave the operator's seat, wait for engine and all moving parts to stop.
6. Disconnect the negative battery cable or remove the spark plug wire (for gasoline engines) before servicing the machine.

#### Assemble Clamps

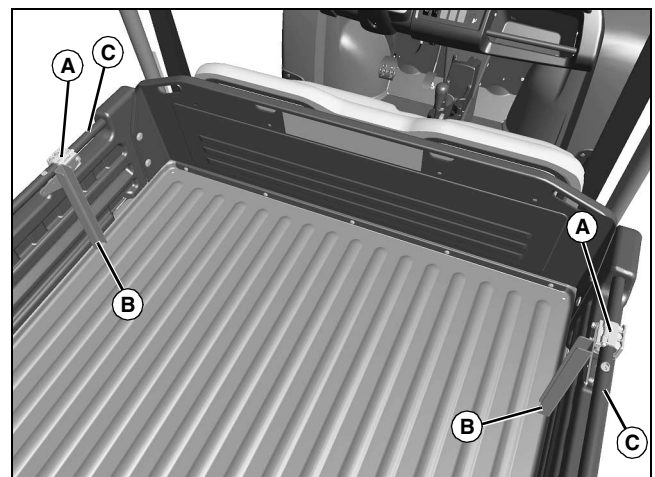


MX45432

#### Picture Note: Left side assembly.

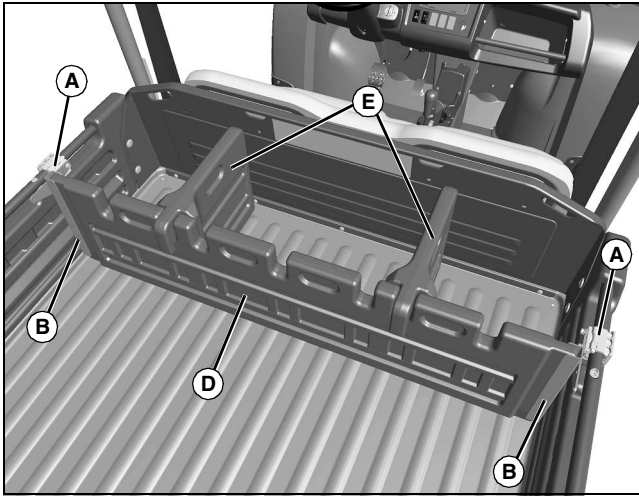
1. Install clamp (A) onto divider U-channel (B) with with two M6x16 bolts (C) as shown.
2. Repeat for second clamp and divider assembly.

#### Install Kit



MX45434

1. Open and install clamps (A) with U-channels (B) towards rear, onto cargo box handles (C). Leave clamps open.



MX45435

2. Install main divider (D) into U-channels (B).
3. Install two small dividers (E) on main divider.
4. Push handle on each clamp (A) down to lock into position.