

Heavy Duty Brush Guard Kit

BM22841



JOHN DEERE

INSTALLATION INSTRUCTIONS

Heavy Duty Brush Guard Kit

M159323 04SEP18 (ENGLISH)

XUV 625i, XUV 825i, XUV 855D, HPX615, HPX815
Utility Vehicle

John Deere Horicon Works
M159323 (04SEP18)

PRINTED IN U.S.A.
COPYRIGHT © 2018
DEERE & COMPANY
Moline, Illinois

All rights reserved.
A John Deere ILLUSTRATION™ Manual

M159323-19-04SEP18

Parts in Kit

Quantity	Description
1	Brush Guard, Heavy Duty
2	Bolt
2	Locknut
2	Clevis Pin
2	Cover, Heavy Duty Brush Guard Edge (Required for R2 Homologated Machines Only)

NOTE: Retain these installation instructions with the machine operator's manual.

OUO2005.0000659 -19-04SEP18-1/1

Parking Safely

1. Stop vehicle on a level surface, not on a slope.
2. Fully lower the cargo box and any attachments on the machine that can be lowered.
3. Fully engage park brake and ensure vehicle is not moving.
4. Stop engine.
5. Remove key.
6. Before you leave the operator's seat, wait for engine and all moving parts to stop.
7. Disconnect the negative battery cable before servicing the machine.

OUMX068.00005F5 -19-09AUG18-1/1

Install Kit

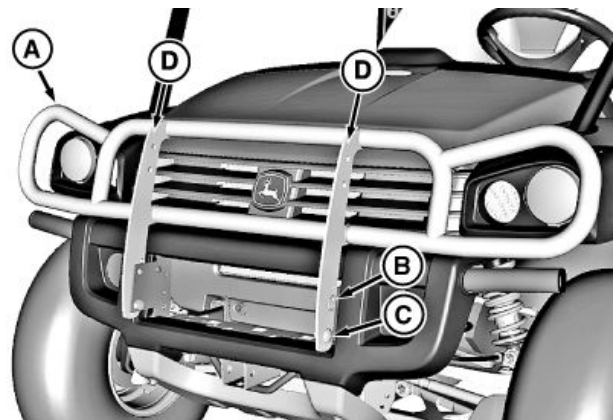
1. Align four bottom mounting holes in the brush guard (A) with mounting holes in machine brackets.
2. Install clevis pins (B) in top mounting holes.
3. Install bolts (C) and nuts in bottom holes and tighten to 50 N·m (37 lb·ft).

NOTE: Brush guard edge covers are required for R2 homologated machines only.

4. Install a heavy duty brush guard edge cover onto each brush guard bracket (D).

A—Brush Guard
B—Clevis Pin

C—Bolt
D—Bracket, Brush Guard



MX T023136 —UN—04SEP18

OUO2005.000065A -19-04SEP18-1/1

