

Heavy Duty Rear CV Guard Kit

BM22962



JOHN DEERE

INSTALLATION INSTRUCTIONS Heavy Duty Rear CV Guard Kit

M168908 25JUL12 (ENGLISH)

XUV550, XUV550 S4, RSX850I Gator™ Utility Vehicle

John Deere Horicon Works
M168908 (25JUL12)

PRINTED IN U.S.A.
COPYRIGHT © 2012
DEERE & COMPANY
Moline, Illinois

All rights reserved.
A John Deere ILLUSTRATION © Manual

M168908-19-25JUL12

Parts in Kit

Quantity	Description
1	Rear CV Guard, Right
1	Rear CV Guard, Left
2	Plate
6	Bolt, M8x55
6	Locknut, M8

NOTE: Retain these installation instructions with the machine operator's manual.

OUC2004,0000195 -19-27JUL12-1/1

Parking Safely

1. Stop vehicle on a level surface, not on a slope.
2. Lock park brake.
3. Stop engine.
4. Remove key.
5. Before you leave the operator's seat, wait for engine and all moving parts to stop.
6. Disconnect the negative battery cable or remove the spark plug wire (for gasoline engines) before servicing the machine.

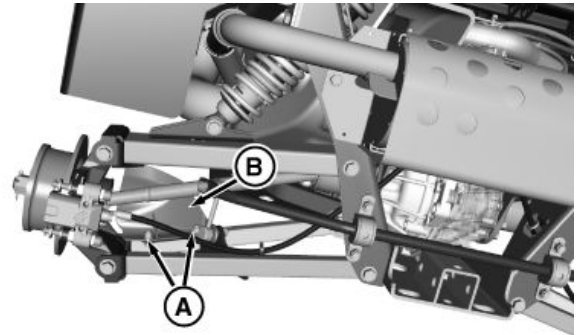
OUC2004,0000196 -19-25JUL12-1/1

Prepare Vehicle

1. Remove hardware (A).
2. Remove plastic CV shield (B).
3. Repeat steps on right side of machine.

A—Hardware

B—CV Shield



Left side shown with rear wheel removed

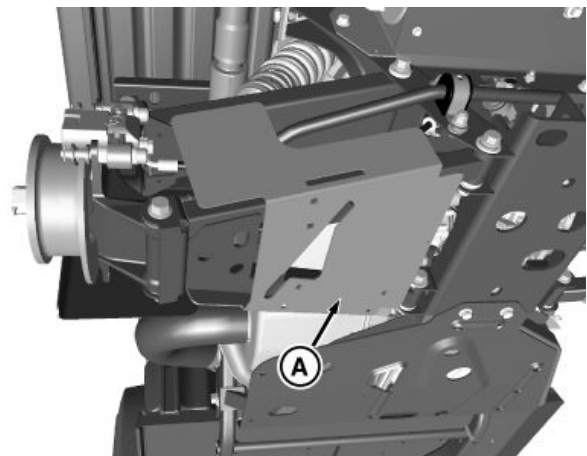
OUC2004,0000198 -19-27JUL12-1/1

MXT005223—UN—25JUL12

Install Kit

1. Position left CV guard (A) as shown.

A—CV Guard



Left side shown with rear wheel removed

Continued on next page

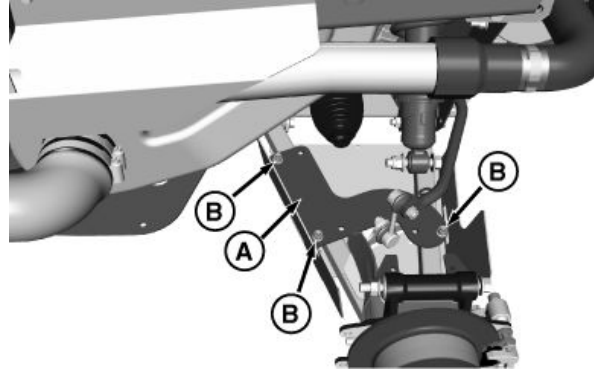
OUC2004,0000197 -19-27JUL12-1/2

MXT005224—UN—25JUL12

2. Position plate (A) on top of lower A-arm and loosely install three M8x55 bolts and three M8 locknuts (B) through CV guard and plate to secure.
3. Tighten hardware when all three bolts are installed.
4. Repeat procedure on right side of machine to install right CV guard.

A—Plate

B—Locknuts, M8 (3)



Left side shown with rear wheel and other machine parts removed

MX1005225 —UN—25JUL12

OUO2004,0000197 -19-27JUL12-2/2