



JOHN DEERE

Product Services Information

INSTALLATION INSTRUCTIONS

(Includes English, French, German, Spanish and Italian)

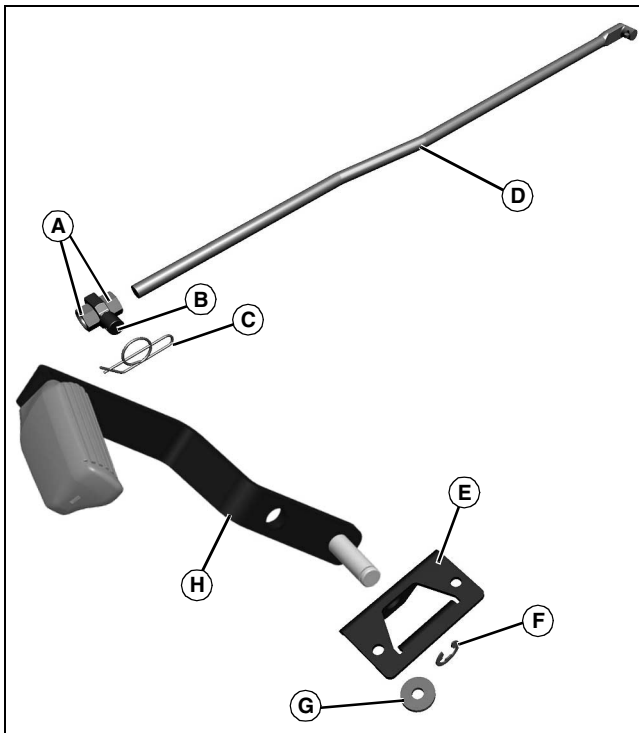


JOHN DEERE

FOOT LIFT KIT FOR Z425 AND Z445 WITH 48 AND 54 IN MOWER

NOTE: Retain these installation instructions with the machine operator's manual.

Parts in Kit



MX47171

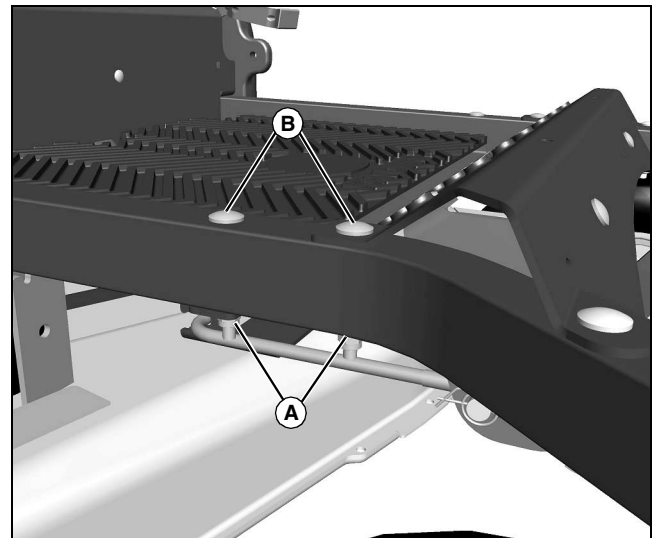
Qty.	Description
2	Nut (A)
1	Trunnion (B)
1	Locking Clip (C)
1	Lift Link Rod (D)
1	Bracket (E)
1	E-Clip (F)
1	Washer (G)
1	Pedal Assembly, Lift (H)
1	Label, Anti-Transport Lock

Parking Safely

1. Stop machine on a level surface, not on a slope.
2. Disengage mower blades.
3. Move motion control levers out to the Start/Shutdown position.
4. Lock the park brake.
5. Stop the engine.
6. Remove the key.
7. Wait for engine and all moving parts to stop before you leave the operator's seat.
8. Disconnect the negative battery cable or remove the spark plug wire (for gasoline engines) before servicing the machine.

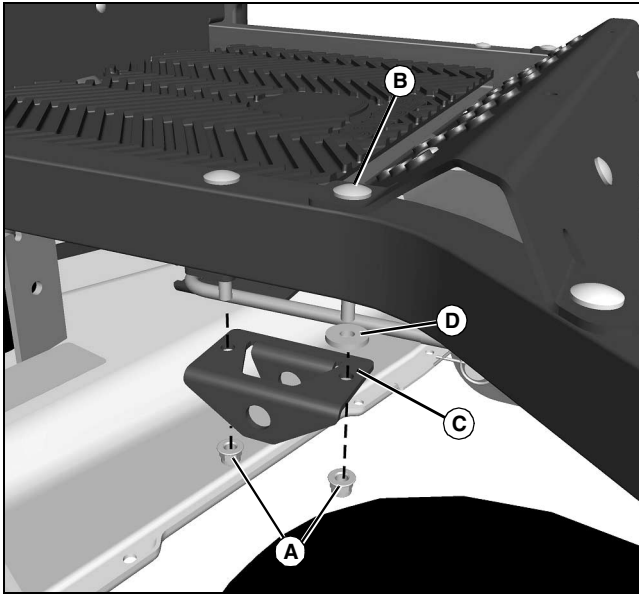
Install Foot Lift Kit

1. Park machine safely on a level surface. (See Parking Safely above.)



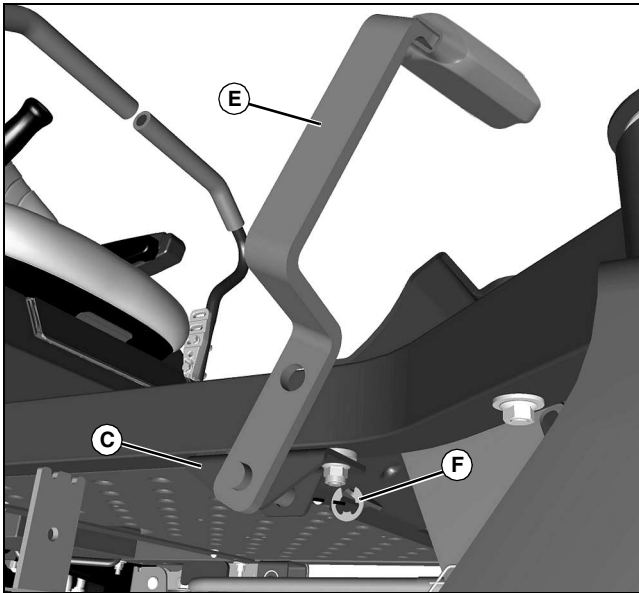
MX43496

2. Remove locknuts (A) and any washers from two carriage bolts (B) on right side of platform. Discard washers, but retain locknuts.



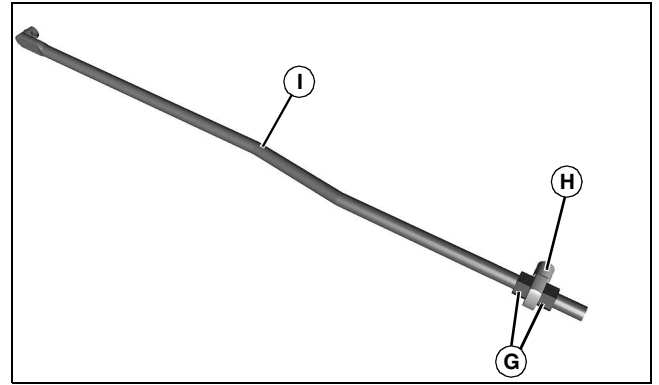
MX43497

3. Position bracket (C) with one washer (D) on front carriage bolt (B) and install original locknuts (A). Tighten locknuts to 20 N•m (180 lb-in.).



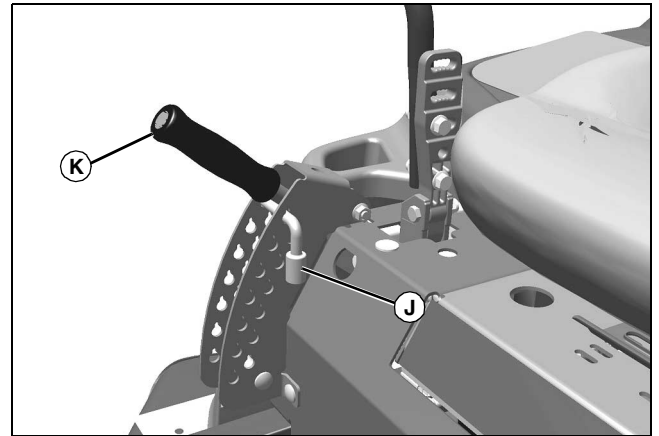
MX43498

4. Install pedal assembly (E) in bracket (C) and secure with E-clip (F).



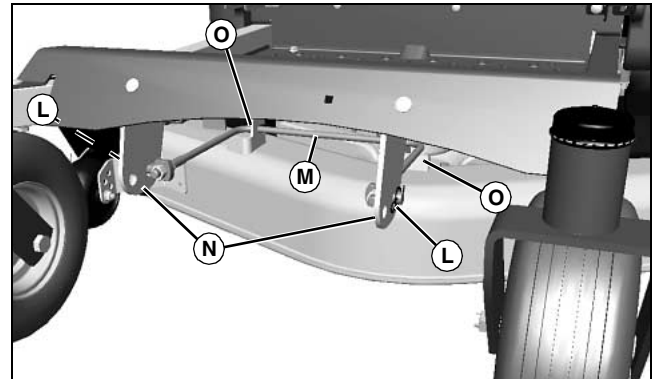
MX43499

5. Assemble a nut (G), trunion (H) and nut (G) on the threaded end of the lift link rod (I).



MX40976

6. Remove pin (J), lower mower deck, and install pin just above lever (K) to lock mower in lowered position.



MX39628

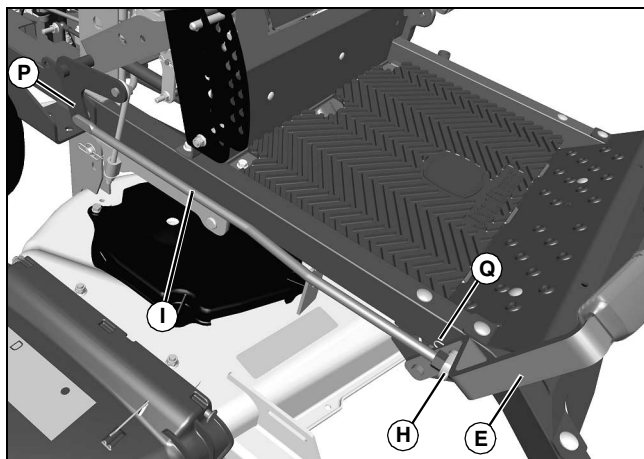
7. Remove locking clips (L), and remove front draft rod (M) from draft brackets (N) and mower deck brackets (O).



CAUTION: Avoid injury! Component is spring-assisted and under tension. Injury can occur if spring-assisted component is released suddenly.

8. Remove pin (J), and raise mower deck to transport position. Install pin just below lever (K).

NOTE: The side panel does not require removal for the next steps.



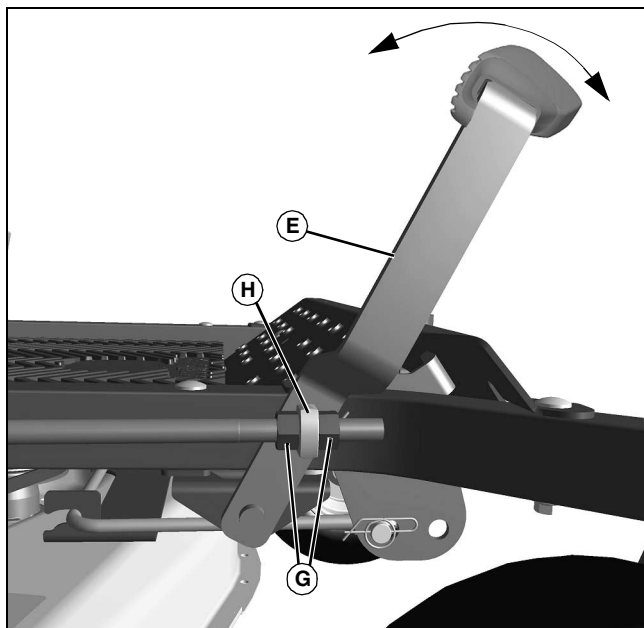
MX43608

Picture Note: Side panel shown removed to show parts clearly.

9. Rotate the front portion of the lift link rod (I) downward and align the ear on the rear of the lift link rod with the hole in the machine linkage (P) and insert completely. (You may need to raise front of machine slightly to install lift link rod onto machine linkage.)

10. Raise the front of the lift link and insert the trunnion (H) through hole in the pedal assembly (E). Secure the trunnion with a locking clip (Q).

11. Remove pin and lower mower deck. Install front draft rod onto mower deck brackets and draft brackets with locking clips.



MX43609

12. Adjust the pedal assembly (E) for operator comfort and adjust trunnion (H) location on the lift link as required to set the pedal position. Tighten the trunnion nuts (G) securely.

13. Check operation of lift pedal.