

Front Fender Guard Kit

BM22987



JOHN DEERE

INSTALLATION INSTRUCTIONS

Front Fender Guard Kit

M159975 05JUN20 (ENGLISH)

A2, HPX615E, HPX815E, XUV625i, XUV825E, XUV825i,
XUV825i S4, XUV825M, XUV825M S4, XUV855D,
XUV855D S4, XUV855E, XUV855M, and XUV855M
S4 Gator™ Utility Vehicles

John Deere Horicon Works
M159975 (05JUN20)

PRINTED IN U.S.A.
COPYRIGHT © 2020
DEERE & COMPANY
Moline, Illinois

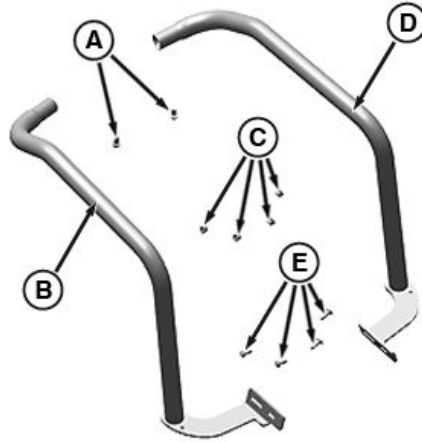
All rights reserved.
A John Deere ILLUSTRATION™ Manual

M159975-19-05JUN20

Parts in Kit

Quantity	Description
2	Self-Tapping Screw (A)
1	Left Fender Guard (B)
4	Locknut (C)
1	Right Fender Guard (D)
4	Carriage Bolt (E)

NOTE: Retain these installation instructions with your machine operator's manual.



BVVMSIT,00002EE -19-08MAY20-1/1

APY35094 —UN—08MAY20

Parking Safely

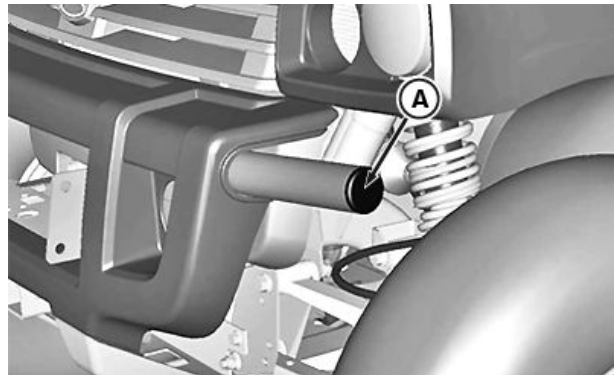
Park the machine safely. See Parking Safely in your Operator's Manual.

MX88017,0000007 -19-17OCT19-1/1

Install Front Fender Guards

1. Park machine safely. (See 'Parking Safely'.)
2. Remove plugs (A) from each side of the front bumper.

A— Plug (2 used)



Continued on next page

BVVMSIT,00002F0 -19-08MAY20-1/2

APY35092 —UN—08MAY20

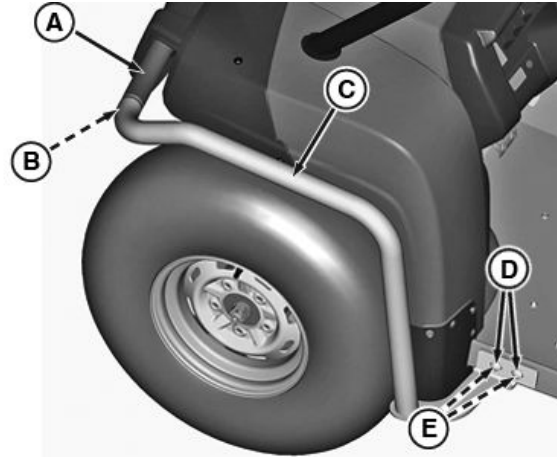
3. Insert stepped end of the left fender guard (C) into the hollow end of the front bumper (A), and loosely secure with the self-tapping screw (B).
4. Install other end of the left fender guard (C) onto the foot deck with the carriage bolts (D) and locknuts (E). Tighten the locknuts (E).
5. Tighten the self-tapping screw (B) to a specification.

Specification

Self-Tapping
 Screw—Torque.....14 N·m
 (10 lb·ft)

6. Repeat procedure for the installation of right fender guard on the opposite side of machine.

- | | |
|------------------------------|----------------------------------|
| A— Front Bumper | D— Carriage Bolt (2 used) |
| B— Self-Tapping Screw | E— Locknut (2 used) |
| C— Left Fender Guard | |



APY35093 —UN—08MAY20

BVMSIT,00002F0 -19-08MAY20-2/2