

Power Lift Kit

BM2330+



JOHN DEERE

INSTALLATION INSTRUCTIONS

Power Lift Kit

M169321 17SEP12 (ENGLISH)

XUV550, XUV550 S4 Gator™ Utility Vehicle

John Deere Horicon Works
M169321 (17SEP12)

PRINTED IN U.S.A.
COPYRIGHT © 2012
DEERE & COMPANY
Moline, Illinois

All rights reserved.
A John Deere ILLUSTRATION © Manual

M169321-19-17SEP12

Parts in Kit

Quantity	Description
1	Cylinder, Powerlift
3	Locknut, M8
2	Bolt, M8x20
1	Bolt, M8x70
2	Pin, Spring Locking
1	Spacer
2	Pin, Drilled
1	Bracket, Upper Lift
1	Bracket, Lower Lift
1	Switch
1	Caution Label
2	Tie Strap

NOTE: Retain these installation instructions with the machine operator's manual.

TH84124.0000010 -19-17SEP12-1/1

Parking Safely

1. Stop vehicle on a level surface, not on a slope.
2. Lock park brake.
3. Stop engine.
4. Remove key.

5. Before you leave the operator's seat, wait for engine and all moving parts to stop.
6. Disconnect the negative battery cable or remove the spark plug wire (for gasoline engines) before servicing the machine.

TH84124.00000E1 -19-06MAR12-1/1

Grease

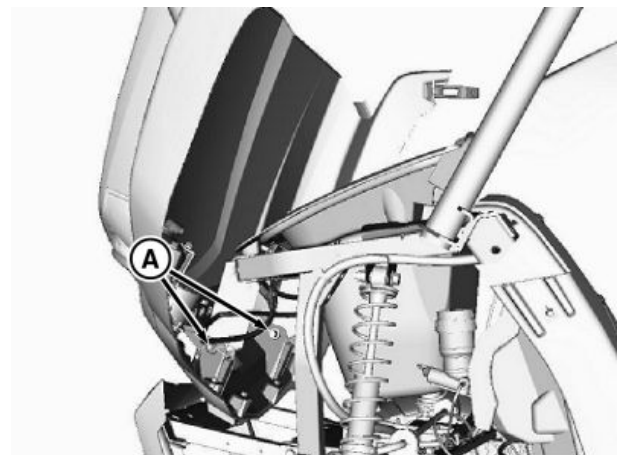
NOTE: A suitable dielectric grease must be applied when installing this kit. You can purchase MPG2 grease from your local John Deere dealer.

TH84124.0000011 -19-17SEP12-1/1

Prepare Machine

1. Open hood and disconnect light wiring connectors.
Remove two spring clips and and clevis pins (A) and lift hood from vehicle.

A—Clevis Pins



Remove Clevis Pins

MXT002425 —UN—06MAR12

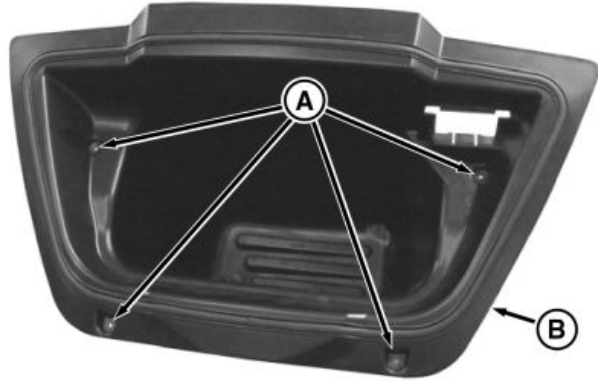
Continued on next page

TH84124.0000015 -19-17SEP12-1/3

- Remove four screws (A) and lift storage compartment (B) from vehicle.

A—Screws

B—Storage Compartment



Remove Storage Compartment

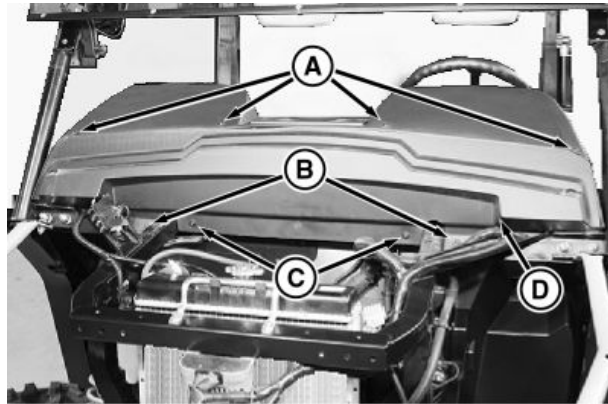
TH84124,0000015 -19-17SEP12-2/3

MXT002426 —UN—06MAR12

- Remove ten screws (A) and front panel (B) from vehicle.

A—Flange Head Screws
B—Screw

C—Flange Head Screws
D—Front Panel



Remove Front Panel

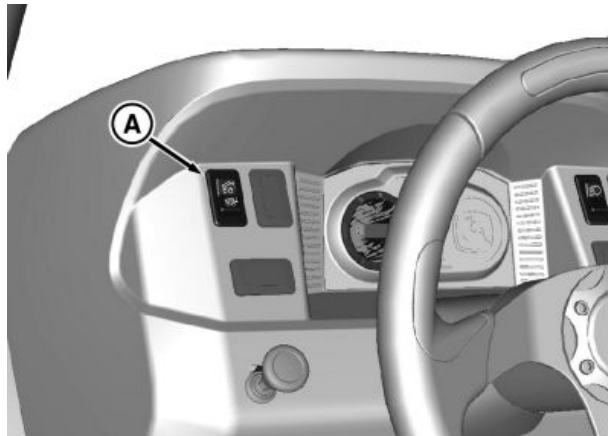
TH84124,0000015 -19-17SEP12-3/3

MXT003333 —UN—15JUN12

Install Switch

- Remove the upper left plug from the instrument panel and install switch (A) in hole.

A—Switch



Install Switch

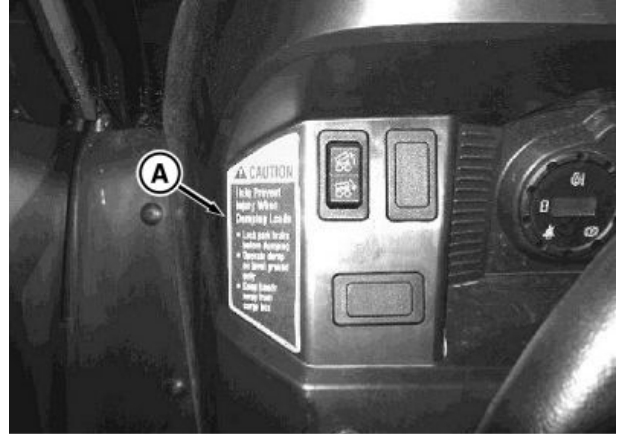
Continued on next page

TH84124,0000012 -19-17SEP12-1/3

MXT002431 —UN—06MAR12

2. Install CAUTION label (A) on instrument panel.

A—CAUTION Label



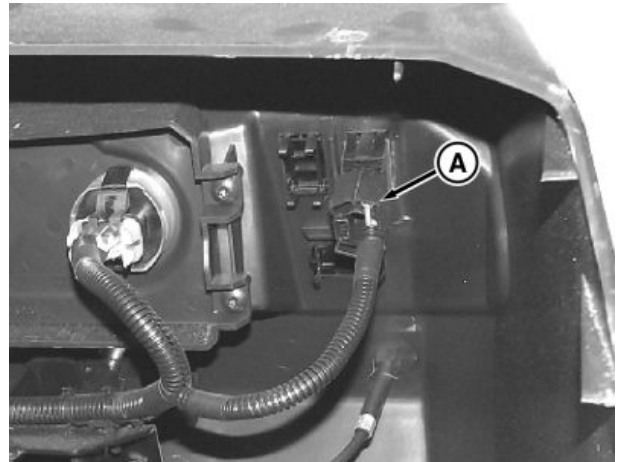
Install Label

TH84124.0000012 -19-17SEP12-2/3

MXT002438 —UN—18JUN12

3. Attach loose connector (A) on machine main wiring harness to switch.
4. Install front panel, storage compartment and hood.

A—Connector



Attach Switch Connector

TH84124.0000012 -19-17SEP12-3/3

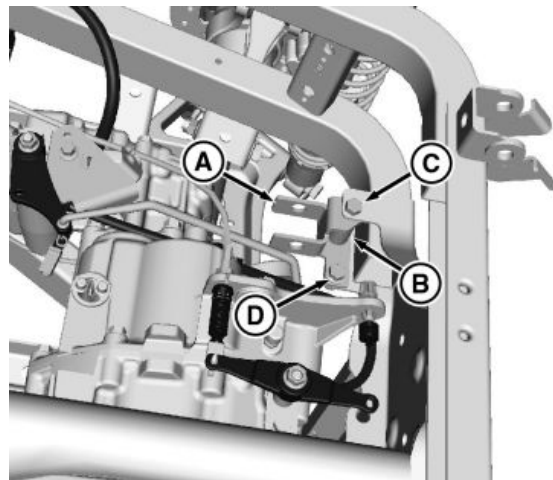
MXT002432 —UN—06MAR12

Install Powerlift Cylinder

1. Secure cargo box in raised position with support lever.
2. Position lower lift bracket (A) between tabs on rear machine frame rail.
3. Position spacer (B) between tabs and install a M8x70 bolt (C).
4. Install a M8x20 bolt (D) through the bracket. Secure both M8 bolts with M8 locknuts.

A—Lower Lift Bracket
B—Spacer

C—Bolt, M8x70
D—Bolt, M8x20



Install Lower Lift Bracket
(Note: Cargo box removed for illustration only)

Continued on next page

TH84124.0000013 -19-17SEP12-1/4

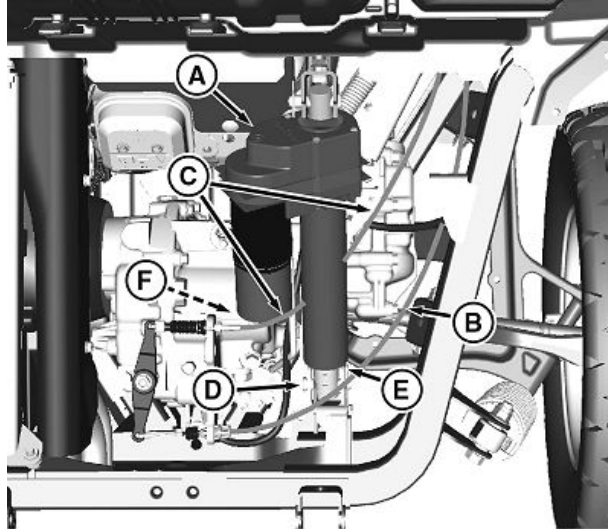
MXT005612 —UN—17SEP12

5. Install powerlift cylinder (A), with motor positioned toward center of machine and cylinder installed between rear shift cable (B) and front shift cable (C), to lower lift bracket with a drilled pin (D). Secure with a spring locking pin (E).

6. Connect powerlift harness connector (F) to mating connector on main harness.

A—Powerlift Cylinder
 B—Rear Shift Cable
 C—Front Shift Cable

D—Drilled Pin
 E—Spring Locking Pin
 F—Harness Connector



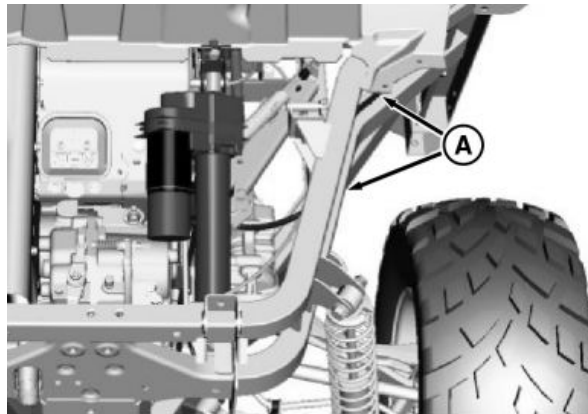
Install Powerlift Cylinder

TH84124,0000013 -19-17SEP12-2/4

MXT002429 —UN—07MAR12

7. Route powerlift harness along top surface of lower right frame rail and secure with two tie straps.

A—Powerlift Cylinder Harness Routing



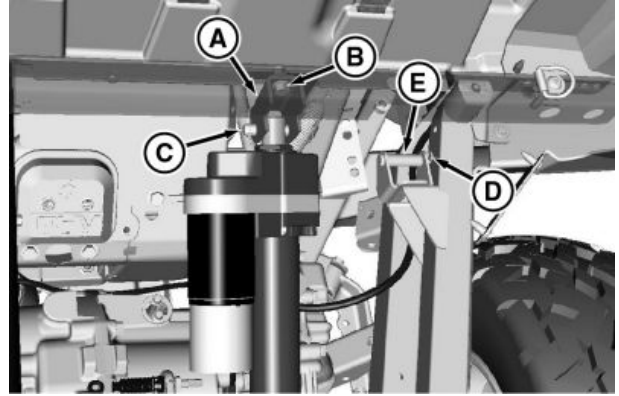
Route Powerlift Cylinder Harness

TH84124,0000013 -19-17SEP12-3/4

MXT002439 —UN—18JUN12

Continued on next page

8. Install upper lift bracket (A) to front box frame rail with one M8x20 bolt (B) and M8 locknut.
9. Turn the ignition key switch to the "RUN" position. Extend the power lift cylinder with the switch as needed to align the cylinder rod to the cargo box lift bracket.
10. Install a drilled pin (C) through the power lift upper bracket and cylinder and secure with a spring locking pin.
11. Remove the spring locking pin (D), drilled pin and bushing (E) from the cargo bed lock bracket on each side of the vehicle.



Install Upper Bracket and Connect Powerlift Cylinder

A—Upper Lift Bracket
B—Bolt, M8x20
C—Drilled Pin

D—Locking Pin
E—Bushing

MXT002430—UN—06MAR12

TH84124.0000013 -19-17SEP12-4/4

Check Powerlift Operation

1. Turn the ignition key switch to the "RUN" position. Press bottom of switch to lower cargo box until travel stops and release switch.
2. Press top of switch to raise cargo box until travel stops and release switch.
3. Turn ignition key switch to the "OFF" position. Powerlift should not operate in either direction with switch.

TH84124.0000014 -19-17SEP12-1/1

