

Nerf Bar Kit

BM23361



JOHN DEERE

INSTALLATION INSTRUCTIONS

Nerf Bar Kit

M162175 28FEB14 (ENGLISH)

RSX850i Utility Vehicle

John Deere Horicon Works
M162175 (28FEB14)

PRINTED IN U.S.A.
COPYRIGHT © 2014
DEERE & COMPANY
Moline, Illinois

All rights reserved.
A John Deere ILLUSTRATION © Manual

M162175-19-28FEB14

Parts in Kit

Quantity	Description
1	Bar, Nerf, Right
1	Bar, Nerf, Left
1	Bracket, Right
1	Bracket, Left
2	Cap, End
8	Locknut, M8
4	Screw, M8x60
4	Screw, M8x25
4	Carriage Bolt, M8x25

NOTE: Retain these installation instructions with the machine operator's manual.

OUO2004.0000003 -19-13SEP12-1/1

Parking Safely

1. Stop vehicle on a level surface, not on a slope.
2. Lock park brake.
3. Stop engine.
4. Remove key.

5. Before you leave the operator's seat, wait for engine and all moving parts to stop.
6. Disconnect the negative battery cable or remove the spark plug wire (for gasoline engines) before servicing the machine.

OUO2004.0000004 -19-07SEP12-1/1

Prepare Machine

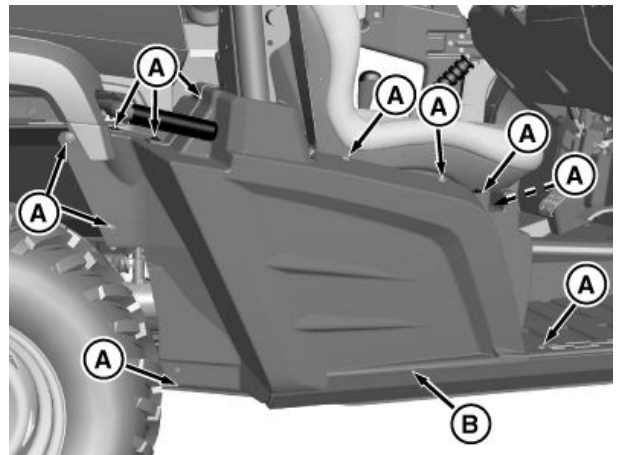
1. Park machine safely (See Parking Safely).
2. Remove eleven screws (A), and side panel (B). Retain screws.

NOTE: Left side requires removal of fuel cap.

3. Repeat procedure for opposite side.

A—Screws

B—Side Panel



MXT005228—JUN—07SEP12

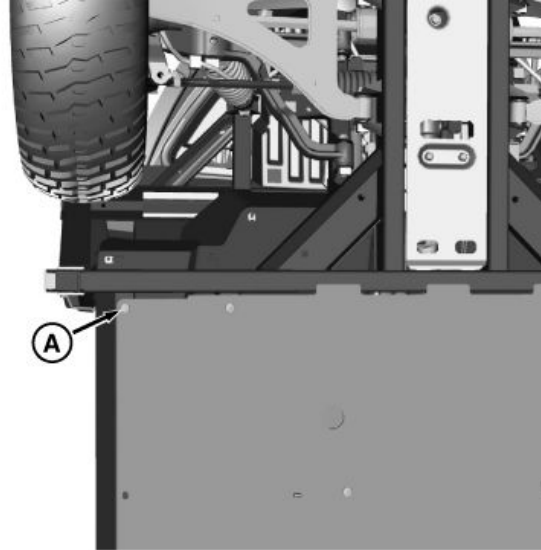
Continued on next page

OUO2004.0000007 -19-25SEP12-1/2

- Remove front corner screw from each side of skid plate. Retain for future use.

NOTE: Front corner screws will not be needed while Nerf Bar Kit is installed.

A—Screw



MXT005234 —JUN—25SEP12

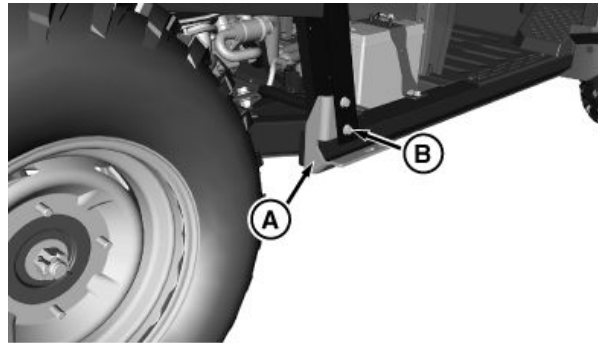
OOU2004,0000007 -19-25SEP12-2/2

Install Kit

- Install bracket (A) with two M8x25 screws (B) and two M8 locknuts. Tighten hardware.

A—Rear Bracket

B—M8x25 Screw (2)



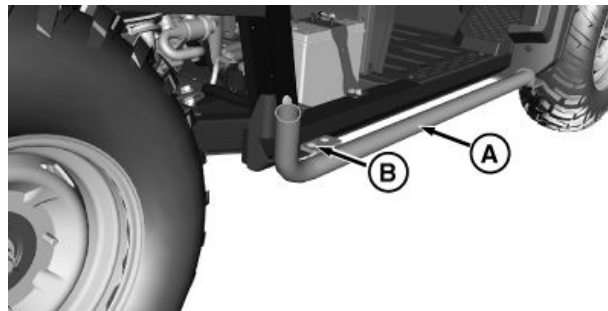
MXT005229 —JUN—07SEP12

OOU2004,0000005 -19-25SEP12-1/4

- Attach bracket to Nerf bar (A) with two M8x25 carriage bolts (B) and two M8 locknuts. Do not tighten hardware.

A—Nerf Bar

B—M8x25 Carriage Bolt (2)



MXT005230 —JUN—07SEP12

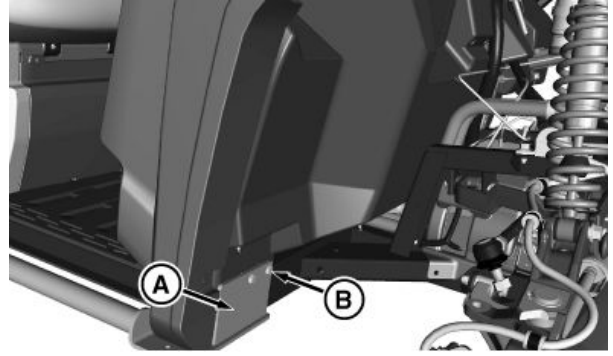
Continued on next page

OOU2004,0000005 -19-25SEP12-2/4

3. Install front of Nerf bar (A) on machine with two M8x60 screws (B). Tighten hardware.

A—Front of Nerf Bar

B—M8x60 Screw (2)



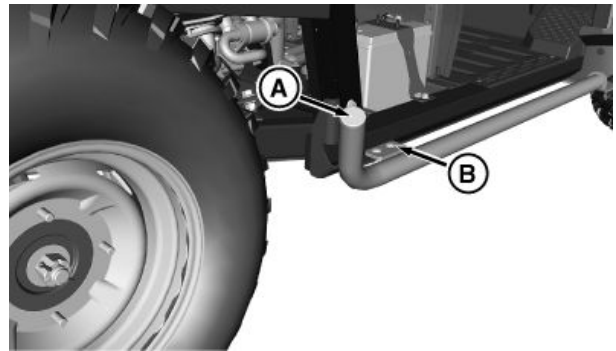
MXT005231—UN—07SEP12

OUO2004,0000005 -19-25SEP12-3/4

4. Install end cap (A) on Nerf bar. Tighten hardware (B).
5. Install side panel with retained hardware.
6. Repeat steps for other side of machine.

A—End Cap

**B—M8x25 Carriage Bolt and
M8 Locknut (2)**



MXT005232—UN—07SEP12

OUO2004,0000005 -19-25SEP12-4/4

