

Front Receiver Hitch Kit

BM23363



JOHN DEERE

INSTALLATION INSTRUCTIONS

Front Receiver Hitch Kit

M162179 13MAY20 (ENGLISH)

RSX850i, RSX860E, RSX860i, RSX860M, XUV550, XUV550
S4, XUV560, XUV560 S4, XUV560E, XUV560E S4, XUV590E,
XUV590E S4, XUV590i, XUV590i S4, XUV590M, and
XUV590M S4 Gator™ Utility Vehicles

John Deere Horicon Works
M162179 (13MAY20)

PRINTED IN U.S.A.
COPYRIGHT © 2020
DEERE & COMPANY
Moline, Illinois

All rights reserved.
A John Deere ILLUSTRATION™ Manual
Previous Editions
Copyright © 2011

M162179-19-13MAY20

Parts in Kit

Quantity	Description
1	Hitch, Front Receiver
2	Backing Plate
6	Bolt, M10 x 30
6	Lock Nut, M10

NOTE: Retain these installation instructions with the machine operator's manual.

OUO2005,000079B -19-22MAY20-1/1

Parking Safely

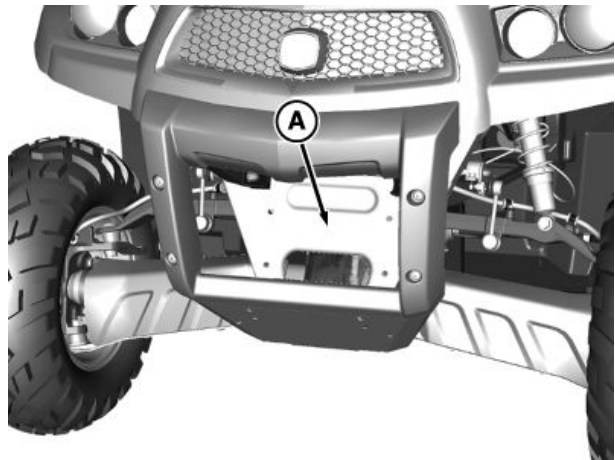
Park the machine safely. See Parking Safely in your Operator's Manual.

MX88017,0000007 -19-17OCT19-1/1

Install Kit

1. Park machine safely. (See Parking Safely.)
2. Position receiver hitch in front machine recess (A).

A—Machine Recess



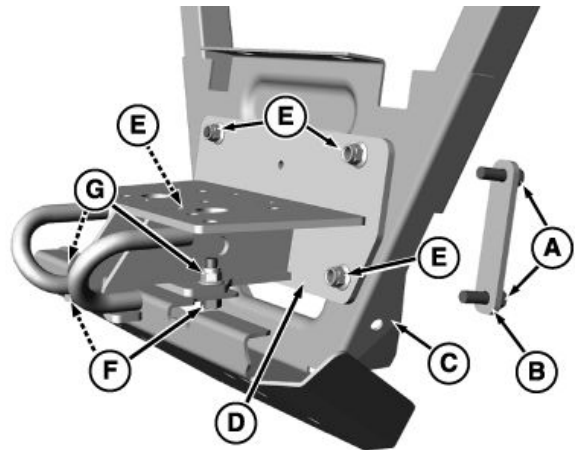
MX101040—UN—12MAY20

OUO2005,000079C -19-22MAY20-1/2

3. Install four M10 x 30 bolts (A) through two backing plates (B), machine frame (C), and hitch (D). Loosely secure with four M10 lock nuts (E).
4. Install two M10 x 30 bolts (F) through the lower front panel and hitch (D). Loosely secure with two M10 lock nuts (G).
5. Tighten all hardware.

A—Bolt, M10 x 30 (4 used)
B—Backing Plate (2 used)
C—Machine Frame
D—Hitch

E—Lock Nut, M10 (4 used)
F—Bolt, M10 x 30 (2 used)
G—Lock Nut, M10 (2 used)



MX101041—UN—12MAY20

OUO2005,000079C -19-22MAY20-2/2

