



JOHN DEERE

Product Services Information

INSTALLATION INSTRUCTIONS

(Includes English, French, German, Spanish and Italian)



JOHN DEERE

FLOOR MAT KIT

Parts in Kit

Qty.	Description
1	Mat, Operator Side Floor, Front
1	Mat, Passenger Side Floor, Front
1	Mat, Operator Side Floor, Rear
1	Mat, Passenger Side Floor, Rear
4	Stud, Ball
4	Locknut, M8

NOTE: Not all parts may be included in your kit depending on machine model installation.

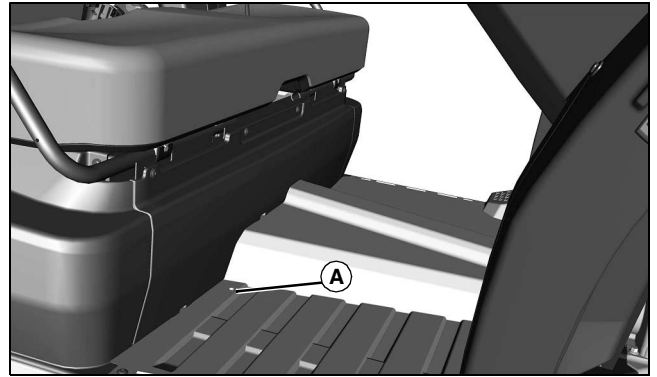
Retain these instructions with your machine operator's manual.

Parking Safely

1. Stop vehicle on a level surface, not on a slope.
2. Lock park brake.
3. Stop engine.
4. Remove key.
5. Before you leave the operator's seat, wait for engine and all moving parts to stop.
6. Disconnect the negative battery cable or remove the spark plug wire (for gasoline engines) before servicing the machine.

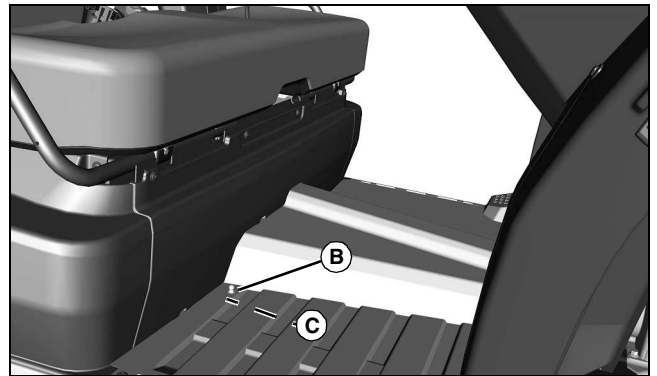
Install Kit

Install Front Mats



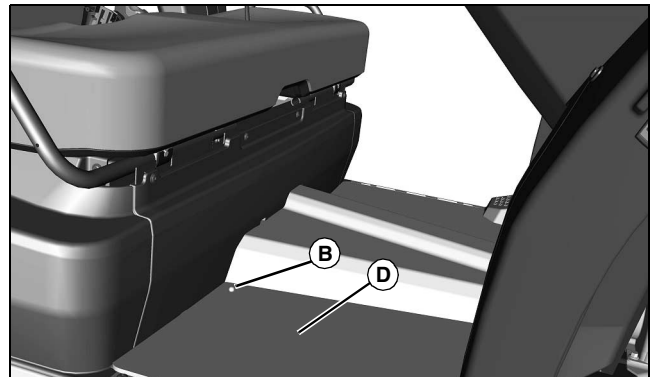
MX49227

1. Enlarge current hole (A) if needed. Drill to 8mm diameter.



MX49228

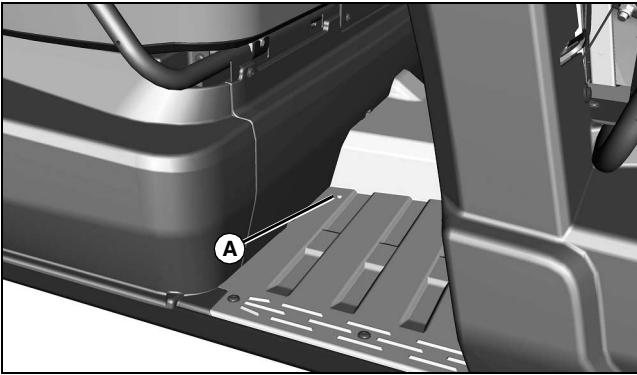
2. Insert ball stud (B) and fasten with M8 locknut (C).



MX49229

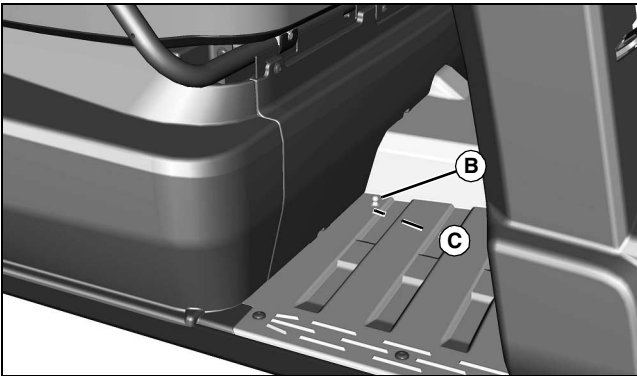
3. Install floor mat (D) over ball stud (B).
4. Repeat for other side.

Install Rear Mats



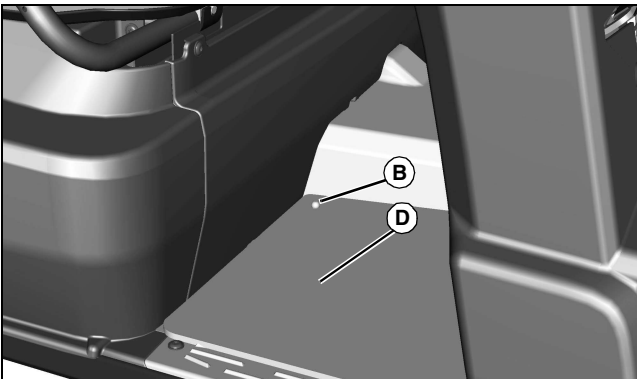
MX49230

1. Enlarge current hole (A) if needed. Drill to 8mm diameter.



MX49231

2. Insert ball stud (B) and fasten with M8 locknut (C).



MX49232

3. Install floor mat (D) over ball stud (B).
4. Repeat for other side.