

Backup Alarm Kit

BM23369



JOHN DEERE

INSTALLATION INSTRUCTIONS

Backup Alarm Kit

M167717 15MAR12 (ENGLISH)

XUV550, XUV550 S4, RSX850i Utility Vehicle

John Deere Horicon Works
M167717 (15MAR12)

PRINTED IN U.S.A.
COPYRIGHT © 2012
DEERE & COMPANY
Moline, Illinois

All rights reserved.
A John Deere ILLUSTRATION © Manual

M167717-19-15MAR12

Grease

NOTE: A suitable dielectric grease must be applied when installing this kit. You can purchase MPG2 grease from your local John Deere dealer.

MX00654,000010A -19-15MAR12-1/1

Parts in Kit

Quantity	Description
1	Alarm
1	Bracket
1	Wiring Harness
1	Switch
1	Locknut, M8
1	Bolt, M8x25
4	Tie Strap

NOTE: Retain these installation instructions with the machine operator's manual.

MX00654,000010B -19-15MAR12-1/1

Parking Safely

1. Stop vehicle on a level surface, not on a slope.
2. Lock park brake.
3. Stop engine.
4. Remove key.
5. Before you leave the operator's seat, wait for engine and all moving parts to stop.
6. Disconnect the negative battery cable or remove the spark plug wire (for gasoline engines) before servicing the machine.

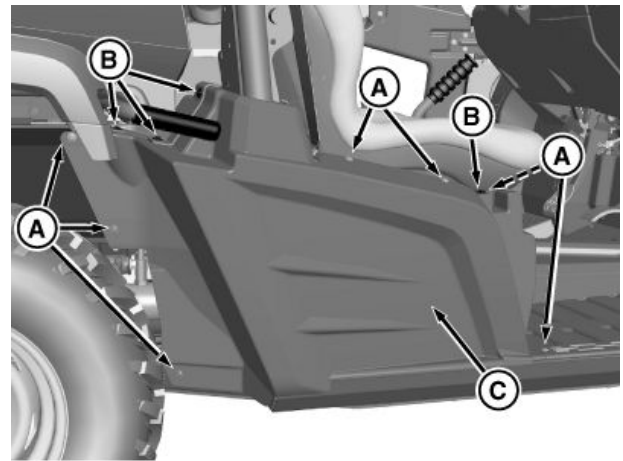
OUC0205,0000050 -19-19DEC11-1/1

Prepare Machine

1. Park machine safely. (See Parking Safely.)
2. Remove seven screws (A), four push fasteners (B), and side panel (C). Retain screws and push fasteners.
3. Repeat procedure for opposite side.
4. Raise cargo box and secure with support.

A—Screw
B—Push Fastener

C—Side Panel



MXT003796—UN—16MAR12

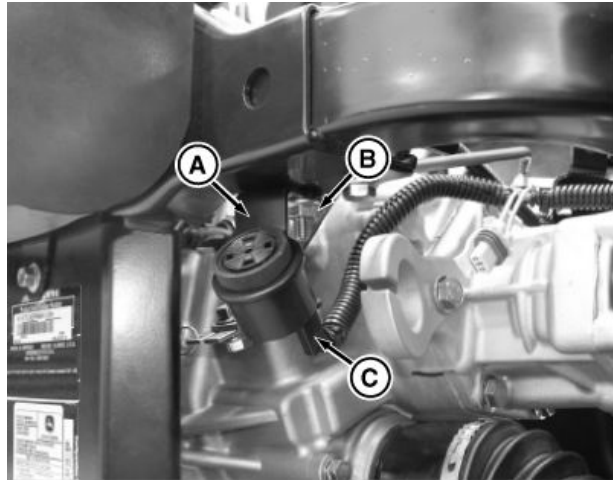
MX00654,000010C -19-15MAR12-1/1

Install Kit

1. Install bracket (A) on right rear frame bracket with M8x25 bolt and M8 locknut (B).
2. Install alarm in bracket, and attach wiring harness connector (C) to alarm.
3. Insert plastic tab on wiring harness into mating hole in lower frame rail.

A—Bracket
B—Locknut

C—Wiring Harness Connector



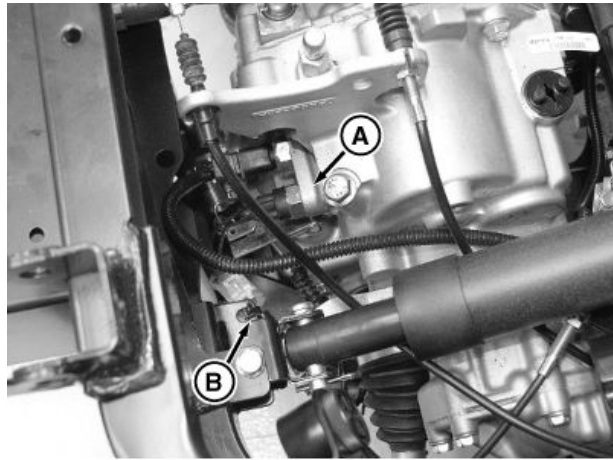
MXT003797 —UN—16MAR12

MX00654.000010D -19-16MAR12-1/4

4. Remove plug from transmission and install switch (A) in hole. Connect wiring harness to switch.
5. Install tie strap (B) to secure wiring at location shown.

A—Switch

B—Tie Strap



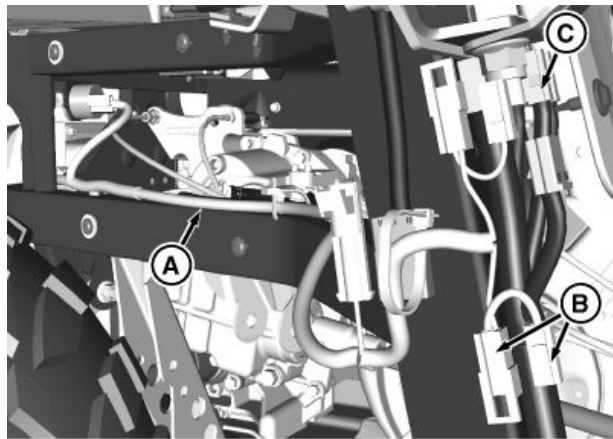
MXT003798 —UN—16MAR12

MX00654.000010D -19-16MAR12-2/4

6. Route free end of wiring harness (A) along right side of machine frame and connect yellow and black wiring connectors (B) to matching yellow and black wiring connectors on machine wiring harness (C).

A—Kit Wiring Harness
B—Connector

C—Main Wiring Harness



MXT003799 —UN—16MAR12

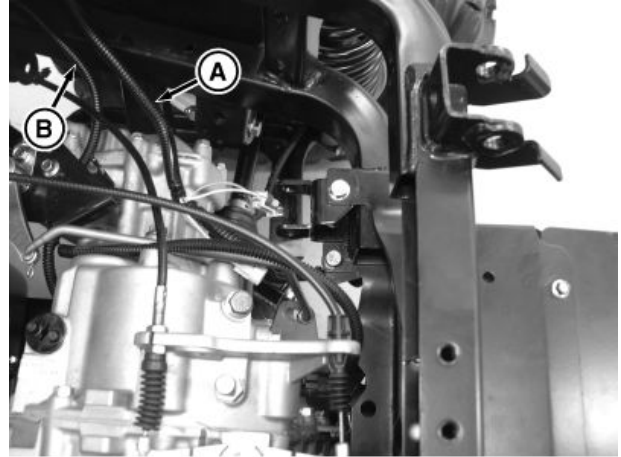
Continued on next page

MX00654.000010D -19-16MAR12-3/4

- Use tie straps to secure wiring harness (A) to cargo lift kit harness or rear light kit harness, if equipped. If neither of these kits is installed, secure to machine main wiring harness (B). Install other straps as needed to keep wiring harness secure and away from moving parts.
- Install machine side panels.
- Connect negative battery terminal and spark plug wires.
- Lower the cargo box.

A—Kit Wiring Harness

B—Main Wiring Harness



MXT003800—UN—16MAR12

MX00654,000010D -19-16MAR12-4/4

Test Switch Function

- Start machine.
- Move transaxle shift lever into reverse gear and listen for alarm.
- Contact your John Deere dealer if alarm does not function properly.

MX00654,000010E -19-15MAR12-1/1

