



JOHN DEERE

Product Services Information

INSTALLATION INSTRUCTIONS

(Includes English, French, German, Spanish and Italian)



JOHN DEERE

FRONT FENDER GUARD KIT

Parts in Kit

Qty.	Description
1	Fender Guard, Left
1	Fender Guard, Right
2	Screw, M10x1.5
4	Screw, M8x1.25
4	Locknut

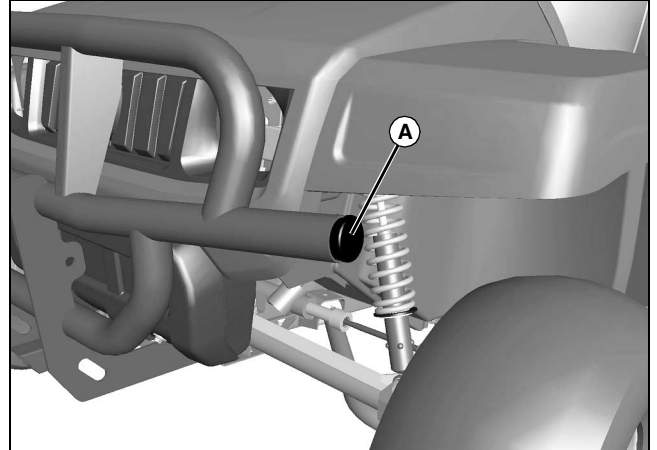
NOTE: Retain these instructions with your machine operator's manual.

Parking Safely

1. Stop vehicle on a level surface, not on a slope.
2. Lock park brake.
3. Stop engine.
4. Remove key.
5. Before you leave the operator's seat, wait for engine and all moving parts to stop.
6. Disconnect the negative battery cable or remove the spark plug wire (for gasoline engines) before servicing the machine.

Install Kit

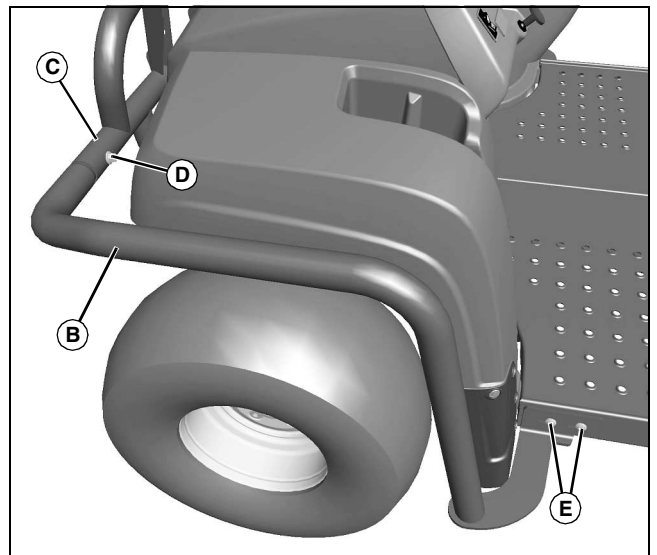
NOTE: Bumper kit or brushguard kit must be installed first before installing this kit.



MX46030

Picture Note: Brushguard shown.

1. Remove plugs (A) from each side of front bumper or brushguard.



MX46031

2. Loosely install fender guard (B) on front brushguard (C) with M10x1.5 screw (D).
3. Install fender guard on footdeck with two M8x1.25 screws (E) and locknuts.
4. Tighten all hardware.
5. Repeat procedure to install remaining fender guard on opposite side of machine.