

High Capacity Mulch Kit

BM23975, BM23977, BM23978



JOHN DEERE

INSTALLATION INSTRUCTIONS

High Capacity Mulch Kit

M165182 09NOV17 (ENGLISH)

Z625, Z645, Z655, Z665, Z540R, Z535R, X750, X754,
X758, X710, X730, X734, X738, X739, 2032R, 2036R,
2038R, 3033R, 3045R, 3046R, 3038R, 3039R

John Deere Augusta Works
M165182 (09NOV17)

Worldwide Edition

PRINTED IN U.S.A.
COPYRIGHT © 2017
DEERE & COMPANY

Moline, Illinois

All rights reserved.

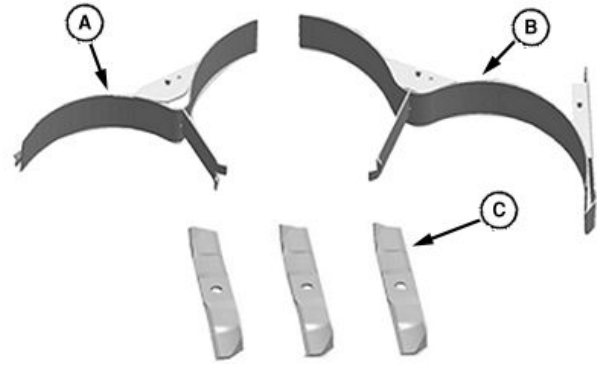
A John Deere ILLUSTRATION™ Manual
Previous Editions
Copyright © 2016

M165182-19-09NOV17

Parts In Kit

Quantity	Description
1	Deflector, Left (A)
1	Deflector, Right (B)
1	Blade, Mulch (C)
1	Locknut, M8 (D)

NOTE: Retain these installation instructions with your machine operator's manual.



LV26296—UN—27SEP16

UP00731,0000347 -19-27SEP16-1/1

Park Machine Safely

1. Stop machine on a level surface.
2. Disengage PTO.
3. Lower attachments to the ground.
4. Lock the park brake.
5. Stop the engine and remove the key.
6. Wait for engine and all moving parts to stop before you leave the operator's seat.

OOU2004,00000DA -19-13MAR12-1/1

Remove Mower Deck

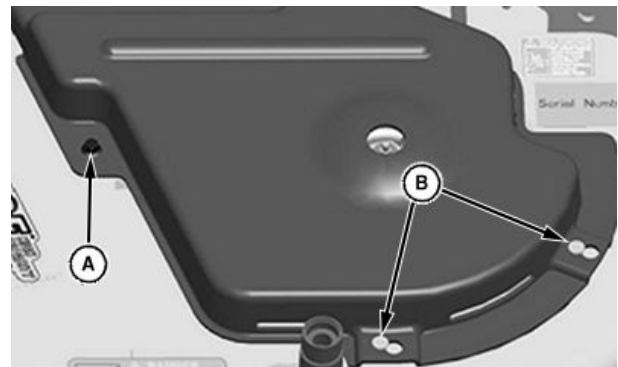
Please refer to the section "Removing Mower" in the SERVICE MOWER Section of the vehicle operator's manual.

UP00731,0000348 -19-27SEP16-1/1

Remove Left Belt Shield (EZtrak with 54 in. HC Decks Only)

1. Remove M8 self tapping screw (A) on left belt shield.
2. Rotate belt shield clockwise to free it from retaining weld studs (B).

A—M8 Self Tapping Screw B—Weld Studs



LV26297—UN—27SEP16

UP00731,0000349 -19-27SEP16-1/1

Installing Mulch Blades

NOTE: The mulch kit can be used with the side discharge blades supplied with the unit, or with the mulch blades included in this kit for improved mulch performance. Please refer to the instructions

"Removing Mower Blades" and "Installing Mower Blades" under the SERVICE MOWER Section of the machine operator's manual. If changing blades, it is recommended to remove the blades prior to kit installation and install them after completing the mulch kit assembly.

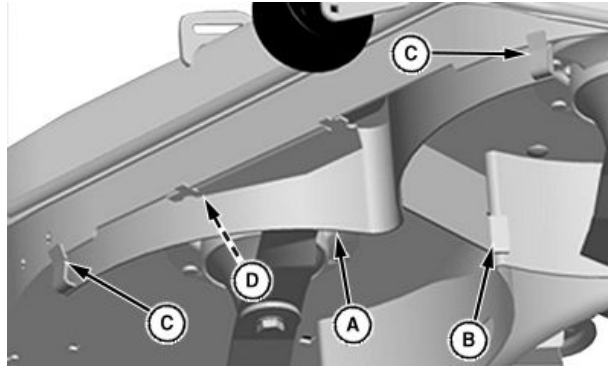
UP00731,000034A -19-27SEP16-1/1

Installing Left Deflector

⚠ CAUTION: Avoid Injury! Rotating blades are dangerous. Before adjusting or servicing mower:

- Disconnect spark plug wire(s) or battery negative (-) cable to prevent engine from starting accidentally.
- Always wear gloves when handling mower blades or working near blades.

1. Position left side deflector (A) in mower deck as shown.
2. Position rear split tab (B) against left corner of rear baffle.
3. Engage front clips (C) over front baffle.
4. Align center weld stud (D) with mounting hole in deck.



A—Left Side Deflector
B—Rear Split Tab

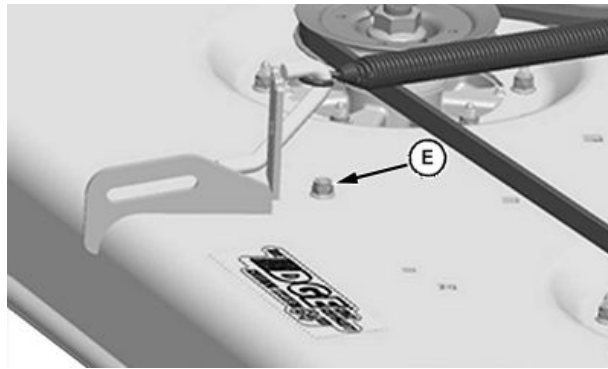
C—Front Clips
D—Weld Stud

LV26288 —UN—27SEP16

UP00731,000034B -19-28SEP16-1/2

5. Install M8 locknut (E) on stud. Tighten to 20 N·m (15 lb·ft).
6. For 54 in. HC decks on EZtrak only: Install left belt shield in opposite order of removal.

E—M8 Locknut



LV26289 —UN—27SEP16

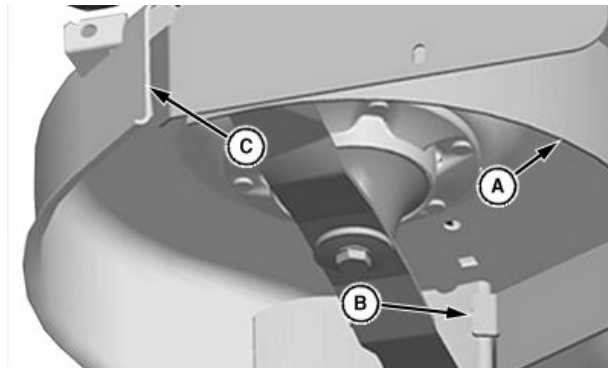
UP00731,000034B -19-28SEP16-2/2

Installing Right Deflector

1. Position right side deflector (A) in mower deck as
2. Position rear split tab (B) against right corner of rear baffle.
3. Insert bend of deflector (C) between deck shell and baffle at rear of discharge outlet.

A—Right Side Deflector
B—Right Split Tab

C—Bend of Deflector



LV26300 —UN—27SEP16

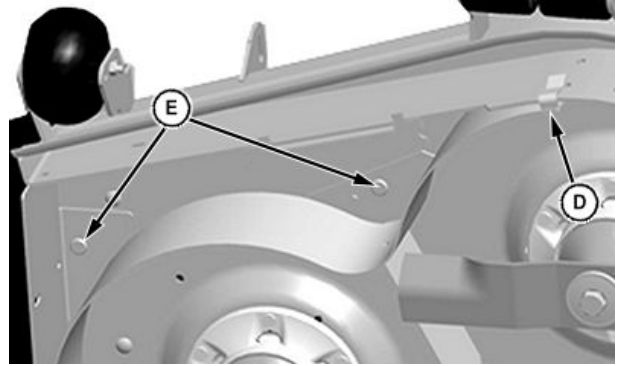
Continued on next page

UP00731,000034C -19-27SEP16-1/3

4. Install clip (D) onto front baffle.
5. Align weld studs (E) with mounting holes in deck.

D—Clip

E—Weld Studs

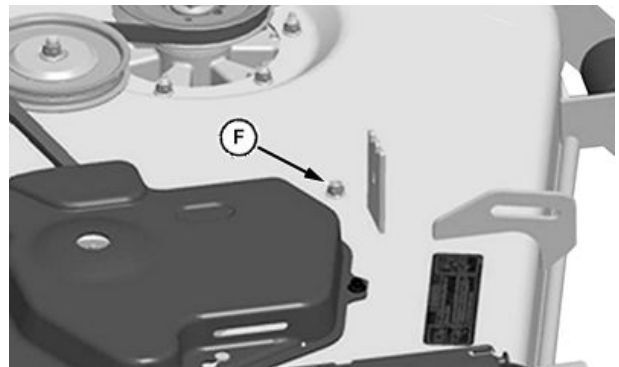


LV26301—UN—27SEP16

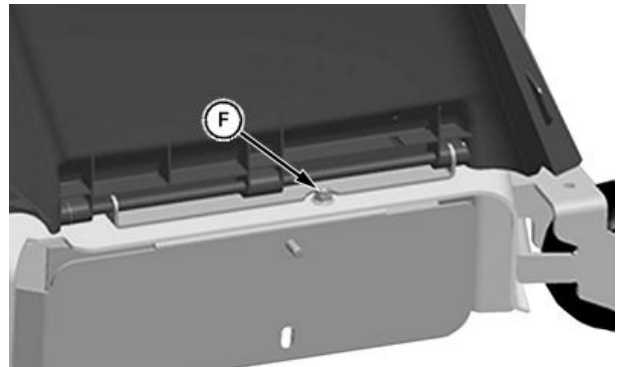
UP00731,000034C -19-27SEP16-2/3

6. Install two M8 locknuts (F) on weld studs near belt shield and under discharge chute. Tighten to 20 N·m (15 lb·ft).
7. Install mulch blades if side discharge blades were removed.

F—M8 Locknuts



LV26302—UN—27SEP16



LV26303—UN—27SEP16

UP00731,000034C -19-27SEP16-3/3

Complete Installation

1. Install mower deck. (Refer to the “Installing Mower” in the SERVICE MOWER Section of the vehicle operator’s manual for installation procedure.)

2. Install spark plug wires or negative battery cable.

UP00731,000034D -19-27SEP16-1/1

