

Brake and Tail Light Kit

M167409



JOHN DEERE

INSTALLATION INSTRUCTIONS

Brake and Tail Light Kit

M167409 13FEB12 (ENGLISH)

XUV550, XUV550 S4 Gator™ Utility Vehicle

John Deere Horicon Works
M167409 (13FEB12)

PRINTED IN U.S.A.
COPYRIGHT © 2012
DEERE & COMPANY
Moline, Illinois

All rights reserved.
A John Deere ILLUSTRATION © Manual

M167409-19-13FEB12

Parts in Kit

Quantity	Description
1	Brake and Tail Light Assembly
1	Wiring Harness
2	Screw, M5x30
2	Nut, M5
4	Locknut, M12
1	Switch, 3-Position Headlight

NOTE: Retain these installation instructions with the machine operator's manual.

OUO2005,000005F -19-09FEB12-1/1

Parking Safely

1. Stop vehicle on a level surface, not on a slope.
2. Lock park brake.
3. Stop engine.
4. Remove key.
5. Before you leave the operator's seat, wait for engine and all moving parts to stop.
6. Disconnect the negative battery cable or remove the spark plug wire (for gasoline engines) before servicing the machine.

OUO2005,0000050 -19-19DEC11-1/1

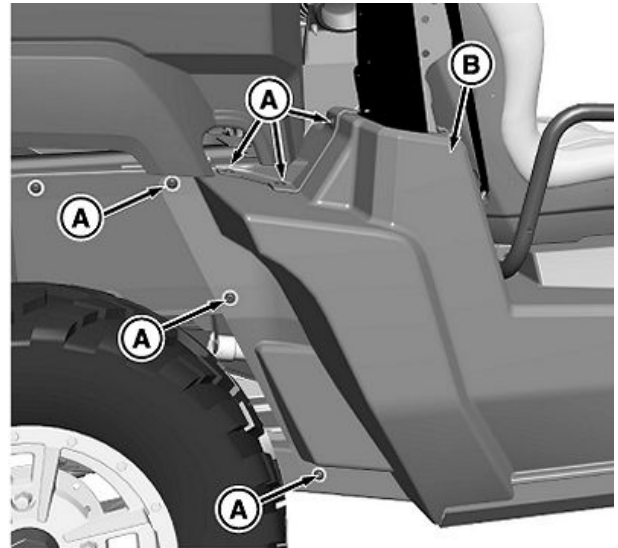
Prepare Machine

NOTE: Install Brake/Tail Light Mounting Kit before you install this kit.

1. Park machine safely. (See Parking Safely.)
2. If installed, remove roof:
 - a. Disconnect wiring for any installed kits.
 - b. Open clamps and remove roof.
3. On right side of machine, remove six M5x12 torx screws (A) from right front (A) side panel.

A—Screw, M5x12 Torx

B—Right Side Panel



MX T002955 —UN—09FEB12

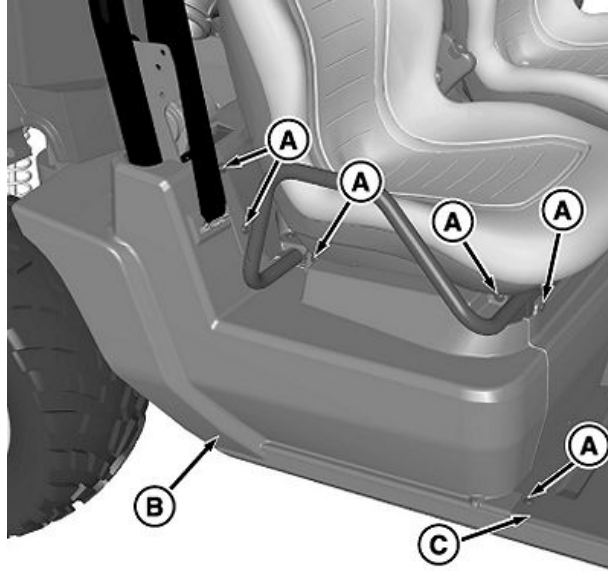
Continued on next page

OUO2005,0000061 -19-09FEB12-1/3

4. Remove six additional M5x12 torx screws (A) from right front (B) side panel.
5. Remove right front panel (B) from under front closeout panel (C).

A—Screw, M5x12 Torx
B—Right Side Panel

C—Front Closeout Panel



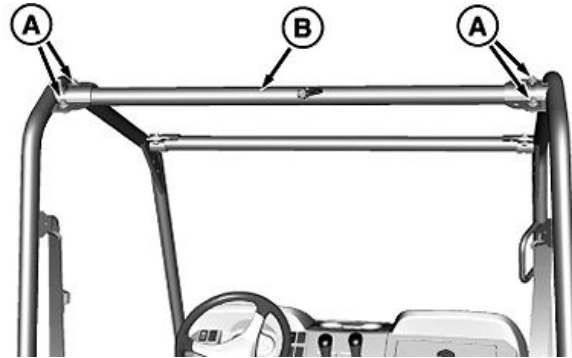
MXT002949 —UN—09FEB12

OUC2005.0000061 -19-09FEB12-2/3

6. Remove and discard locknuts (A) from the rear Occupant Protective Structure (OPS) tube (B).
7. Remove bolts from right side of rear OPS tube if needed to allow harness routing into tube.
8. Secure cargo box in raised position.

A—Locknut (4)

B—Rear OPS Tube



MXT002950 —UN—07FEB12

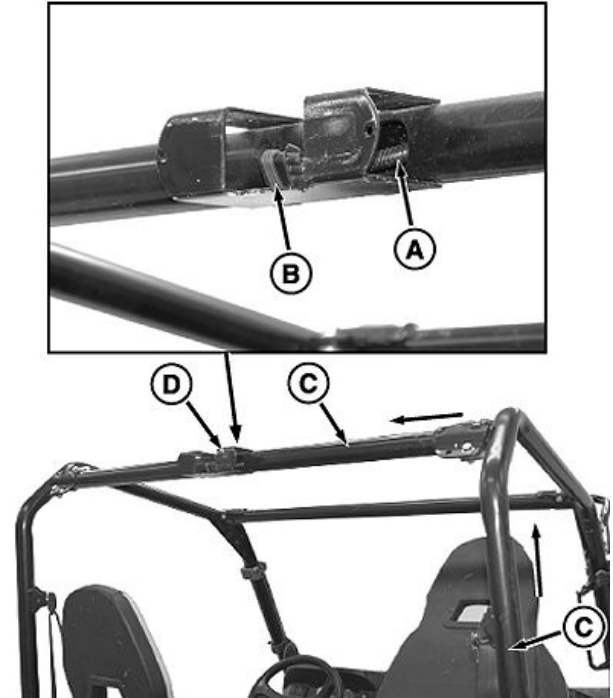
OUC2005.0000061 -19-09FEB12-3/3

Install Kit

- Using a hard wire, guide the wiring harness (A) 3-pin connector (B) through the Occupant Protective Structure (OPS) tubes (C) and up into OPS bracket (D).

A—Wiring Harness
B—3-Pin Connector

C—OPS Tubes
D—OPS Bracket



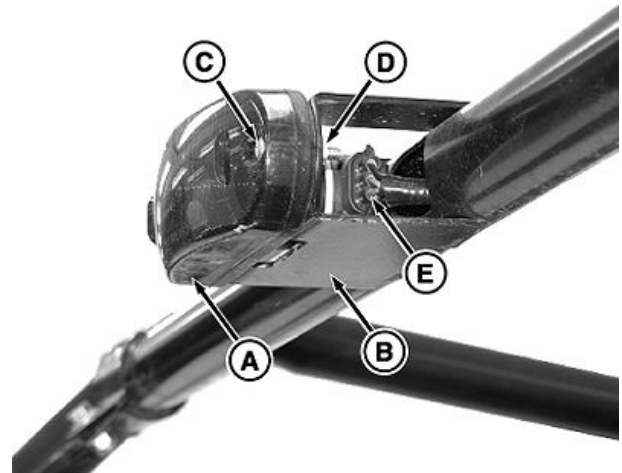
MXT002951 —UN—07FEB12

OUO2005.0000064 -19-09FEB12-1/4

- Install brake and tail light assembly (A) onto mounting bracket (B) with two M5x30 screws (C) and M5 nuts (D).
- Install connector (E) onto light assembly.

A—Brake and Tail Light Assembly
B—Mounting Bracket
C—Screw, M5x30 (2)

D—Nut, M5 (2)
E—Connector



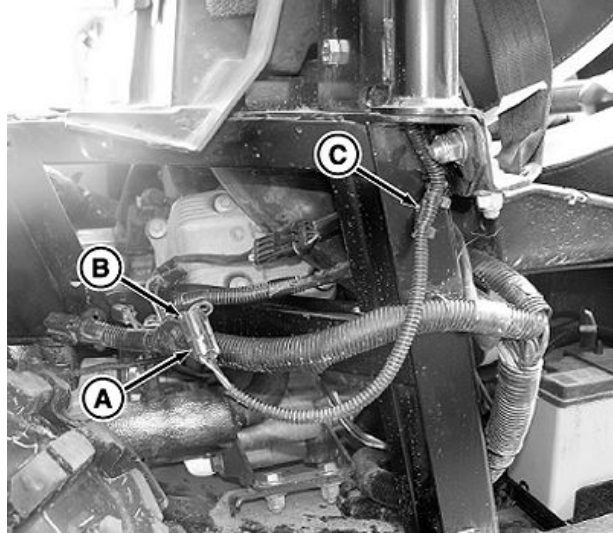
MXT002952 —UN—07FEB12

Continued on next page

OUO2005.0000064 -19-09FEB12-2/4

4. Install wiring harness 3-pin connector (A) onto machine wiring harness connector (B).
5. Install wiring harness retainer (C) onto frame as shown.

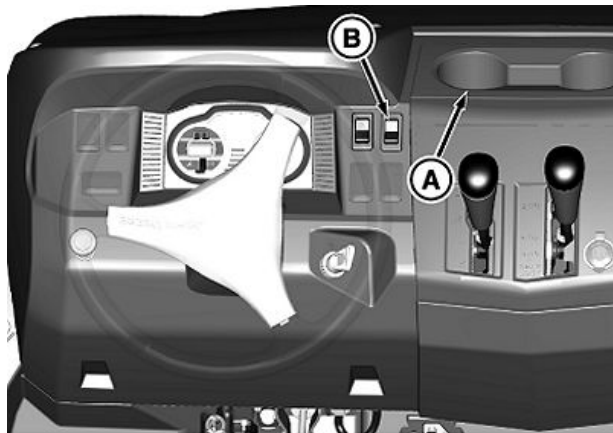
A—3-Pin Connector
B—Connector, Machine Wiring Harness
C—Retainer, Wiring Harness



MXT002953 —UN—07FEB12

OUO2005,0000064 -19-09FEB12-3/4

6. Pull cup holder (A) upward to remove from console.
7. Disconnect wiring from 2-position headlight switch (B). Push on rear of switch to remove from console.
8. Install new 3-position headlight switch at location and push fully into console to lock into position.
9. Install wiring connector to switch.
10. Install cup holder.
11. Install right side panel with twelve M5x12 torx screws.
12. Connect negative battery terminal and spark plug wires.
13. Install new M12 locknuts on bolts securing rear OPS tube to OPS. Tighten to 125 N•m (92 lb-ft).
14. Test operation.
15. Lower cargo box.
16. Install roof, if necessary.



MXT002954 —UN—07FEB12

A—Cup Holder

B—3-Position Light Switch

OUO2005,0000064 -19-09FEB12-4/4