

# Backup Alarm Kit

BM24726



**JOHN DEERE**

## INSTALLATION INSTRUCTIONS

### Backup Alarm Kit

M169428 08NOV16 (ENGLISH)

XUV 625i, XUV 825i, XUV 855D, XUV 825i S4, XUV 855D  
S4, XUV835, XUV865 Utility Vehicle

**John Deere Horicon Works**  
**M169428 (08NOV16)**

PRINTED IN U.S.A.  
COPYRIGHT © 2016  
DEERE & COMPANY  
Moline, Illinois

All rights reserved.  
A John Deere ILLUSTRATION™ Manual

M169428-19-08NOV16



### Grease

*NOTE: A suitable dielectric grease must be applied when installing this kit. You can purchase MPG2 grease from your local John Deere dealer.*

OUC02004,0000065 -19-30JAN13-1/1

### Parts in Kit

*NOTE: If a Cargo Lift Kit will also be installed on the machine, install the Backup Alarm Kit first.*

Quantity	Description
1	Alarm
1	Bracket, Alarm Mounting
1	Wiring Harness, Backup Alarm
1	Switch, Reverse
1	Bolt, M6x40
1	Locknut, M6
3	Tie Strap

SB31882,000002B -19-13OCT16-1/1

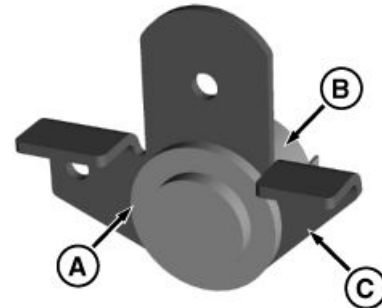
### Parking Safely

1. Stop vehicle on a level surface, not on a slope.
2. Fully lower the cargo box and any attachments on the machine that can be lowered.
3. Lock park brake.
4. Stop engine.
5. Remove key.
6. Before you leave the operator's seat, wait for engine and all moving parts to stop.
7. Disconnect the negative battery cable or remove the spark plug wire (for gasoline engines) before servicing the machine.

OUC02004,0000067 -19-30JAN13-1/1

### Install Kit

1. Raise cargo box and engage support.
2. Park machine safely.
3. Remove knurled retaining nut (A) from alarm (B).
4. Install alarm into bracket (C), oriented as shown.
5. Secure with knurled retaining nut (A).



A—Retaining nut  
B—Alarm

C—Bracket

MXT006844 —UN—30JAN13

Continued on next page

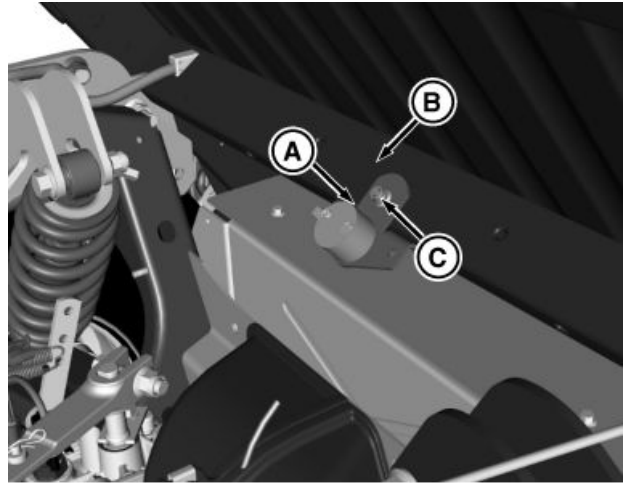
SB31882,000001D -19-03NOV16-1/5

6. Install alarm and alarm mounting bracket (A) onto rear of cargo box frame (B) with bolt (C) and M6 locknut.

A—Alarm and Mounting  
Bracket

C—Bolt, M6x40

B—Box Frame

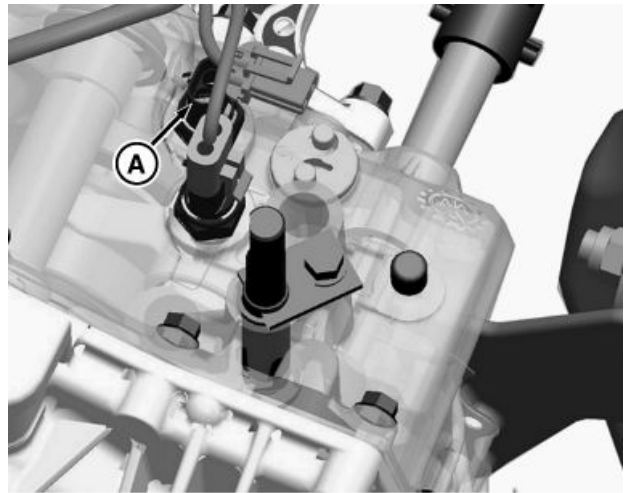


MXT006845 —UN—04FEB13

SB31882.000001D -19-03NOV16-2/5

7. Remove plug from transmission and install reverse switch (A) if not already on machine.

A—Reverse Switch



MXT006847 —UN—30JAN13

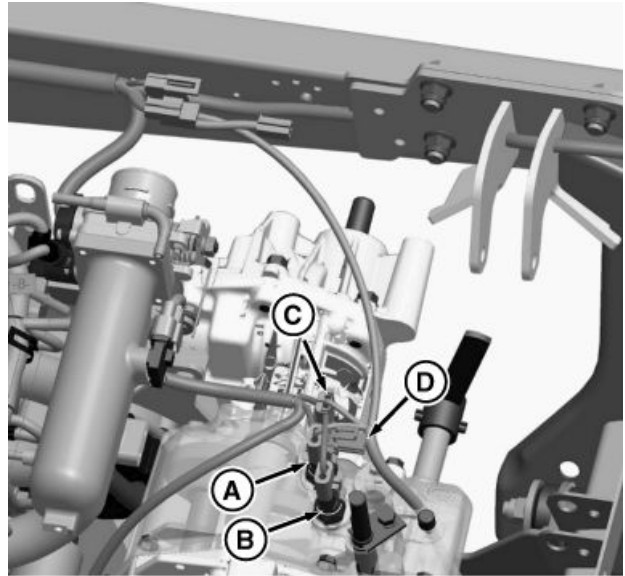
Continued on next page

SB31882.000001D -19-03NOV16-3/5

**NOTE:** Apply dielectric grease to all electrical connectors during installation.

8. If you installed a new reverse switch, connect alarm wiring harness to reverse switch:
  - a. Install wiring harness connector (A) to reverse switch (B).
  - b. Install wiring harness connector (C) to machine wiring connector (D).

**A**—Connector, Alarm Harness      **C**—Connector, Alarm Harness  
**B**—Reverse Switch                      **D**—Connector, Machine Harness

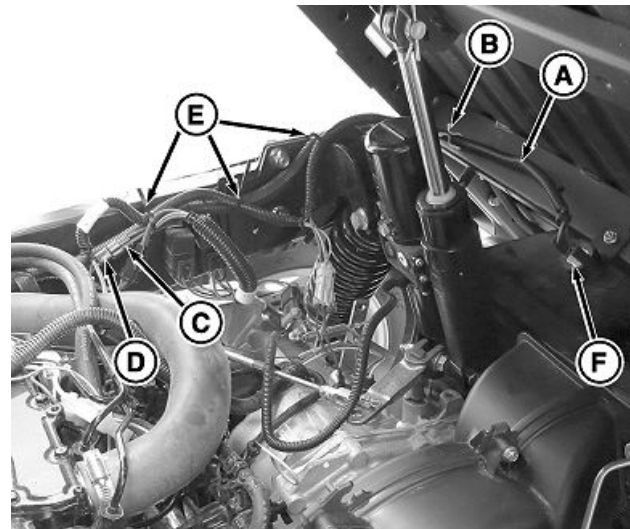


625i, 825i, 825i S4, 855D, 855D S4 S/N 110001-, 835, and 865

SB31882.000001D -19-03NOV16-4/5

MXT006846 —UN—31JAN13

9. If your machine already had a reverse switch installed:
  - a. Remove wiring harness connector from reverse switch (A), and install alarm wiring connector (B) to switch.
  - b. Install wiring harness connector originally disconnected from switch (A) and connect to alarm wiring connector (C).
10. Connect alarm (red and black wire) harness connector (C) to machine (red and black wire) harness connector (D).
11. Use three tie straps (E) to secure alarm harness to cargo lift kit harness or rear light kit harness, if equipped. If neither of these kits is installed, secure to machine main wiring harness.
12. Install alarm wiring harness connector to alarm (F).
13. Connect negative battery terminal and spark plug wires.



**A**—Wiring Harness                      **D**—Connector, Machine Harness (Red and Black Wire)  
**B**—Clip                                      **E**—Tie Strap  
**C**—Connector, Alarm Harness (Red and Black Wire)      **F**—Alarm

SB31882.000001D -19-03NOV16-5/5

MXT006850 —UN—28FEB13

### Test Switch Function

1. Shift machine into reverse gear and listen for alarm.
2. Lower the cargo box.
3. Contact your John Deere dealer if alarm does not function properly.

OUC02004.000006A -19-30JAN13-1/1





