

Floor Mat Kit

BM25743, BM25744



JOHN DEERE

INSTALLATION INSTRUCTIONS

Floor Mat Kit

M176905 12MAY20 (ENGLISH)

RSX850i, RSX860E, RSX860i, RSX860M, XUV550, XUV550
S4, XUV560, XUV560 S4, XUV560E, XUV560E S4, XUV590i,
XUV590i S4, XUV590E, XUV590E S4, XUV590M, and
XUV590M S4 Gator™ Utility Vehicles

John Deere Horicon Works M176905 (12MAY20)

PRINTED IN U.S.A.
COPYRIGHT © 2020
DEERE & COMPANY
Moline, Illinois

All rights reserved.
A John Deere ILLUSTRATION™ Manual
Previous Editions
Copyright © 2015

M176905-19-12MAY20

Parts in Kit

Quantity	Description
1	Front Operator Side Floor Mat
1	Front Passenger Side Floor Mat
1	Rear Operator Side Floor Mat
1	Rear Passenger Side Floor Mat
4	Ball Stud
4	Locknut, M8

NOTE: Not all parts are included in your kit depending on machine model installation.

Retain these installation instructions with the machine operator's manual.

BVVMSIT,00002B2 -19-11MAY20-1/1

Parking Safely

Park the machine safely. See Parking Safely in your Operator's Manual.

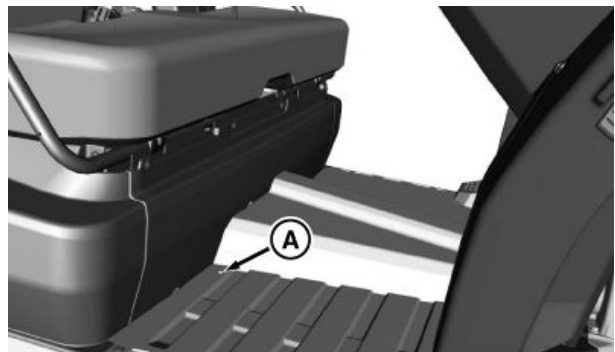
MX88017,0000007 -19-17OCT19-1/1

Install Kit

Install Ball Studs

1. If needed, drill hole (A) on the front passenger side of the machine to 8 mm diameter.
2. Repeat on the front operator side of the machine.
3. For installation on 'S4' models, repeat on both rear sides of the machine.

A— Hole (2 used)



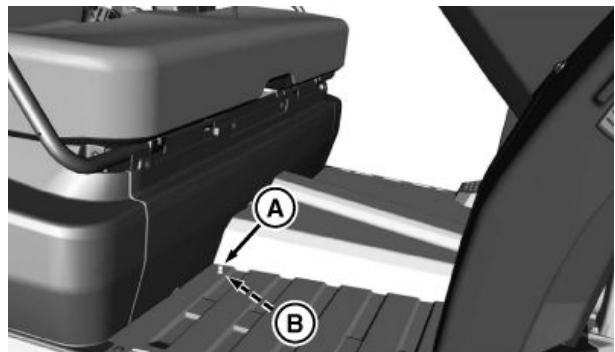
MX1016482 —UN—13NOV15

BVVMSIT,00002B3 -19-11MAY20-1/3

4. Insert ball stud (A) onto the front passenger side of the machine, and fasten with locknut (B) .
5. Repeat on the front operator side of the machine.
6. For installation on 'S4' models, repeat on both rear sides of the machine.

A— Ball Stud (2 used)

B— Locknut, M8 (2 used)



MX1016483 —UN—13NOV15

Continued on next page

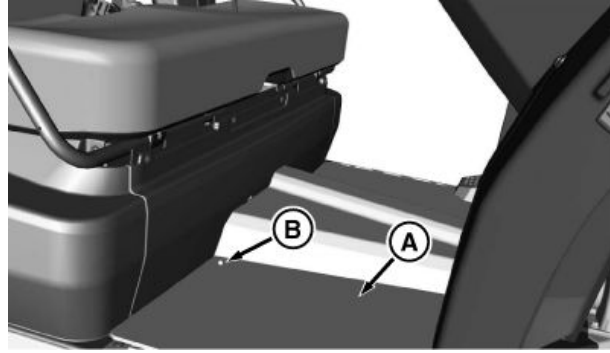
BVVMSIT,00002B3 -19-11MAY20-2/3

Install Floor Mats

1. Install floor mat (A) over the ball studs (B) onto the front passenger side of the machine.
2. Repeat on the front operator side of the machine.
3. For installation on 'S4' models, repeat on both rear sides of the machine.

A— Floor Mat (2 used)

B— Ball Stud (2 used)



MXTO16484 —UN—13NOV15

BVMSIT,00002B3 -19-11MAY20-3/3