

Stripe Kit

BTC10285, BTC10286, BTC10287



JOHN DEERE

INSTALLATION INSTRUCTIONS

Stripe Kit

TCU32458 01APR13 (ENGLISH)

ZTrak Mower Z900 Series

John Deere Augusta Works
TCU32458 (01APR13)

PRINTED IN U.S.A.
COPYRIGHT © 2013
DEERE & COMPANY
Moline, Illinois

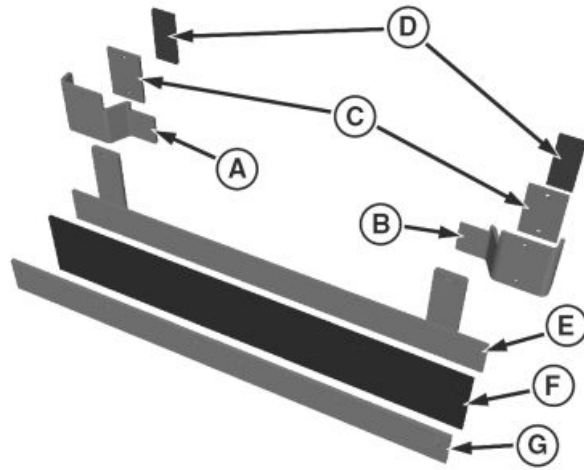
All rights reserved.
A John Deere ILLUSTRATION © Manual

TCU32458-19-01APR13

Parts in Kit

BTC10285 - 48 in. Stripe Kit

Quantity	Description
1	Mounting Bracket, Left (A)
1	Mounting Bracket, Right (B)
2	Mounting Plate (D)
1	Mounting Bracket, Center (E)
1	Blade, Rubber (F)
1	Plate, Backing (G)
4	Bolt, Flanged, M8x25
10	Bolt, Carriage, M8x35
10	Locknut, M8



TCT005737 -UN-05NOV12

BTC10286 - 54/60 in. Stripe Kit

Quantity	Description
1	Mounting Bracket, Left (A)
1	Mounting Bracket, Right (B)
2	Spacer, 60 in. Deck Only (C)
2	Mounting Plate (D)
1	Mounting Bracket, Center (E)
1	Blade, Rubber (F)
1	Plate, Backing (G)
4	Bolt, Flanged, M8x25
8	Bolt, Carriage, M8x35
8	Locknut, M8

A—Mounting Bracket, Left **E—Mounting Bracket, Center**
B—Mounting Bracket, Right **F—Blade, Rubber**
C—Spacer (With BTC10286 - **G—Plate, Backing**
For 60 in. Deck Only)
D—Mounting Plate

NOTE: Retain these installation instructions with your machine operator's manual.

BTC10287 - 72 in. Stripe Kit

Quantity	Description
1	Mounting Bracket, Left (A)
1	Mounting Bracket, Right (B)
2	Mounting Plate (D)
1	Mounting Bracket, Center (E)
1	Blade, Rubber (F)
1	Plate, Backing (G)
4	Bolt, Flanged, M8x25
12	Bolt, Carriage, M8x35
12	Locknut, M8

TH84124.000009F -19-21MAR13-1/1

Parking Safely

1. Stop vehicle on a level surface, not on a slope.
2. Lock park brake.
3. Stop engine.
4. Remove key.
5. Before you leave the operator's seat, wait for engine and all moving parts to stop.
6. Disconnect the negative battery cable or remove the spark plug wire (for gasoline engines) before servicing the machine.

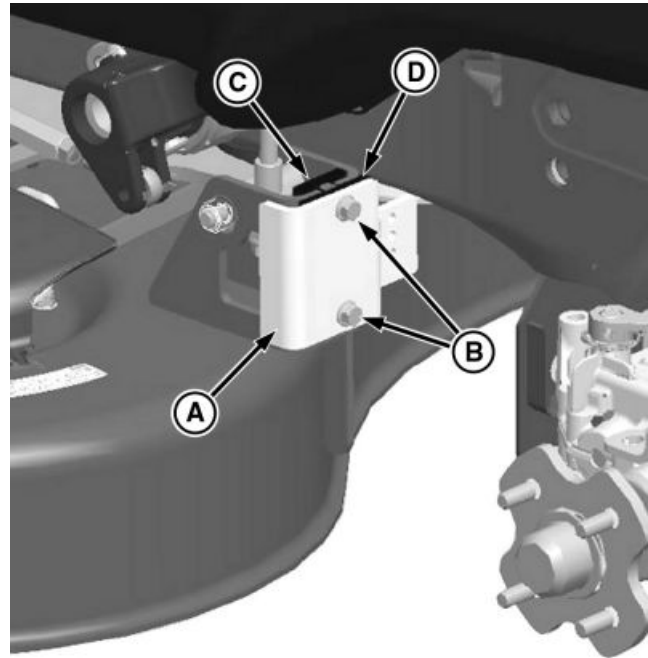
OUC02005,0000050 -19-25JUN12-1/1

Install Kit

1. Install left mounting bracket (A) on left rear deck mount with two flanged bolts (B) and one mounting plate (C). On 60 in. decks, insert spacer (D) between mounting bracket (A) and deck mount.
2. Tighten bolts to (B) 28 N·m (20 lb.-ft.).

A—Left Mounting Bracket
B—Bolts, Flanged, M8 x 25

C—Mounting Plate
D—Spacer (60 in. Decks Only)



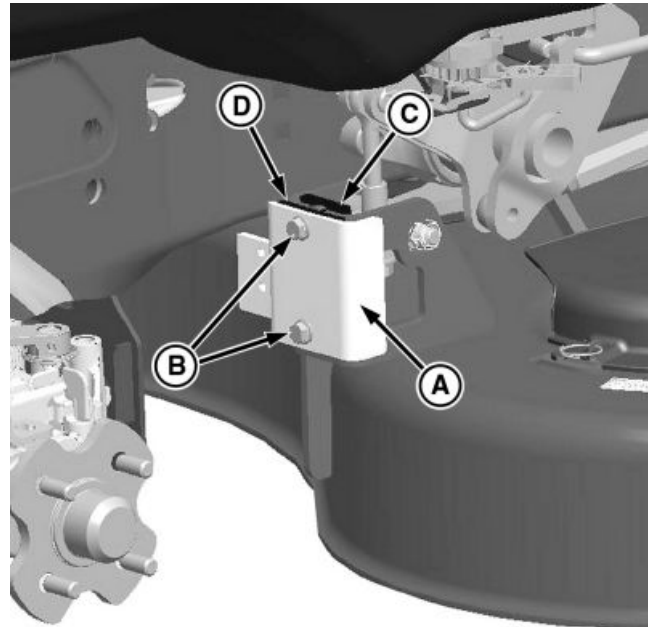
TC1005739 —UN—05NOV12

TH84124,0000A0 -19-21MAR13-1/5

3. Install right mounting bracket (A) on right rear deck mount with two flanged bolts (B) and one mounting plate (C). On 60 in. decks, insert spacer (D) between mounting bracket (A) and deck mount.
4. Tighten bolts (B) to 28 N·m (20 lb.-ft.).

A—Right Mounting Bracket
B—Bolts, Flanged, M8 x 25

C—Mounting Plate
D—Spacer (60 in. Decks Only)



TC1005740 —UN—05NOV12

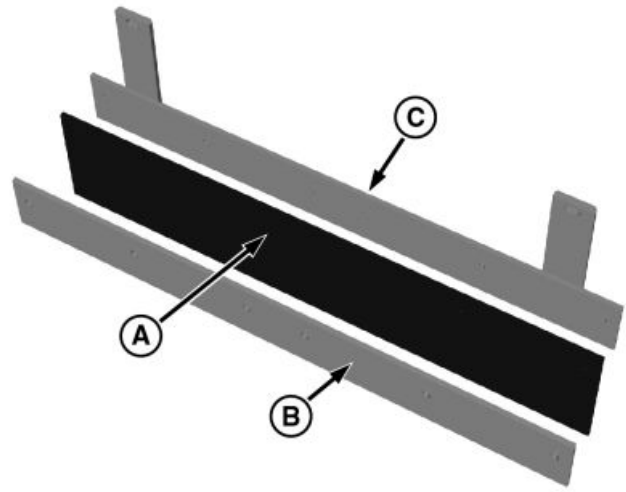
Continued on next page

TH84124,0000A0 -19-21MAR13-2/5

5. Position rubber blade (A) and backing plate (B) on center mounting bracket (C) and secure with M8 x 35 carriage bolts inserted through front of mounting bracket and secure with M8 locknuts.
6. Tighten locknuts to 28 N·m (20 lb.-ft.).

A—Rubber Blade
B—Backing Plate

C—Mounting Bracket, Center



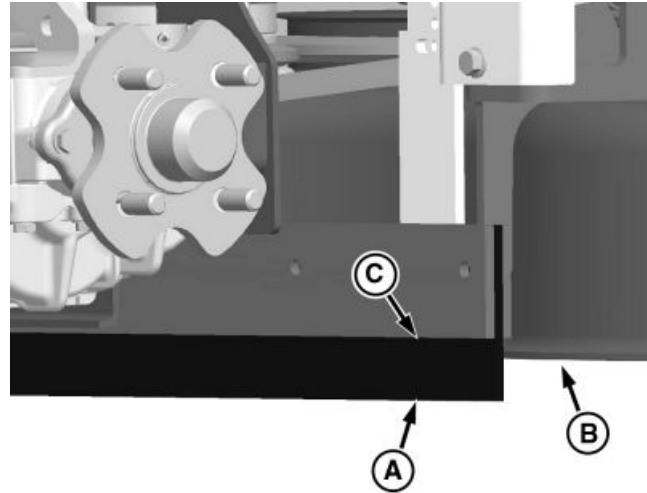
TCT005743 —UN—05NOV12

TH84124.00000A0 -19-21MAR13-3/5

7. Position blade assembly against left and right mounting brackets.
8. Adjust blade height vertically until bottom edge of blade (A) is below the bottom edge of the deck (B) as shown. Do not allow the bottom edge of the stripping kit metal brackets (C) to be adjusted lower than the bottom edge of the deck (B).

A—Blade, Rubber
B—Bottom Deck Edge

C—Bottom Stripping Kit Bracket Edge



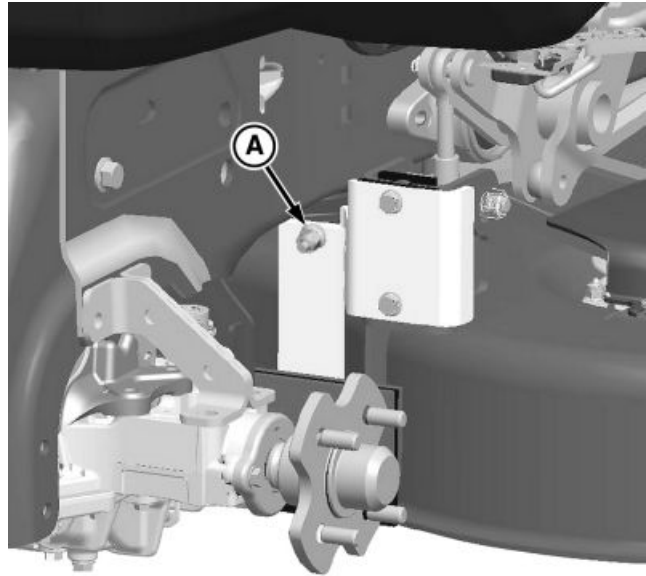
TCT005741 —UN—05NOV12

Continued on next page

TH84124.00000A0 -19-21MAR13-4/5

9. With blade height adjusted, install a M8 x 35 carriage bolt through each deck mounting bracket hole and blade assembly. Secure bolts with M8 locknuts (A).
10. Tighten locknuts to 28 N·m (20 lb.-ft.).

A—Locknut, M8

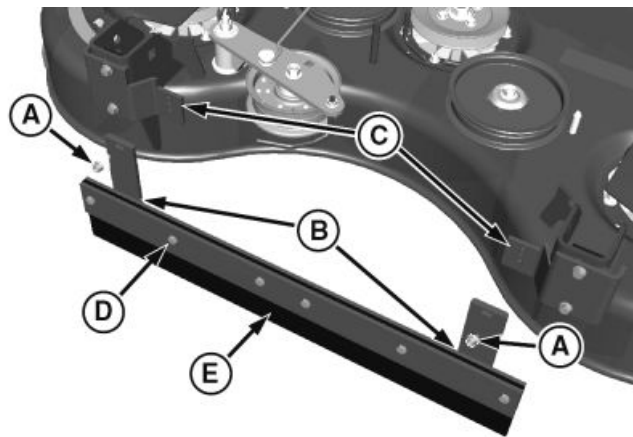


TCT007030 —UN—21MAR13

TH84124.00000A0 -19-21MAR13-5/5

Service Kit

1. Remove locknuts (A), blade assembly (B) and carriage bolts from mower deck mounting brackets (C).
2. Remove locknuts (D), backing plate, rubber blade (E) and carriage bolts from center mounting bracket. Discard rubber blade.
3. Position new rubber blade and backing plate on center mounting bracket. Install M8 x 35 carriage bolts through front of mounting bracket, blade and backing plate and secure with M8 locknuts (D). Tighten locknuts to 28 N·m (20 lb.-ft.).
4. Install blade assembly on mower deck mounting brackets with M8x35 carriage bolts installed from front and M8 locknuts (A). Tighten locknuts to 28 N·m (20 lb.-ft.).



A—Locknuts, M8
 B—Blade Assembly
 C—Mounting Brackets, Deck

D—Locknuts, M8
 E—Blade Rubber

TCT007029 —UN—21MAR13

TH84124.00000A1 -19-21MAR13-1/1

