

Dash Bracket Kit

BUC10176



JOHN DEERE

INSTALLATION INSTRUCTIONS

Dash Bracket Kit

UC13150 12APR17 (ENGLISH)

XUV835, XUV865 Gator™ Utility Vehicles

John Deere Horicon Works
UC13150 (12APR17)

PRINTED IN U.S.A.
COPYRIGHT © 2017
DEERE & COMPANY
Moline, Illinois

All rights reserved.
A John Deere ILLUSTRATION™ Manual

UC13150-19-12APR17

Parts in Kit

NOTE: Parts included in kit are for one mounting location and one tablet.

NOTE: Retain these installation instructions with your machine operator's manual.

Parts in Box

Quantity	Description
1	Bracket, Dash
2	Bolt, Shoulder, Socket Head, M6x31
2	Screw, Self-Tapping, M10x20
2	Washer, 10.5x30x2.5mm**
2	Washer, 10x16x2mm

JK79365,0000868 -19-06APR17-1/1

Parking Safely

1. Stop vehicle on a level surface, not on a slope.
2. Fully lower the cargo box and any attachments on the machine that can be lowered.
3. Lock park brake.
4. Stop engine.
5. Remove key.
6. Before you leave the operator's seat, wait for engine and all moving parts to stop.
7. Disconnect the negative battery cable or remove the spark plug wire (for gasoline engines) before servicing the machine.

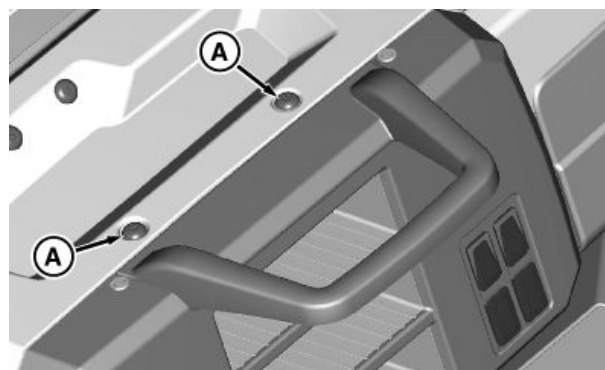
OUMX068,0000457 -19-03DEC13-1/1

Install Kit

Dash Mount Bracket

1. Remove screws (A) from upper dash panel. Retain screws.

A—Screw, Screw-tapping, M6x20



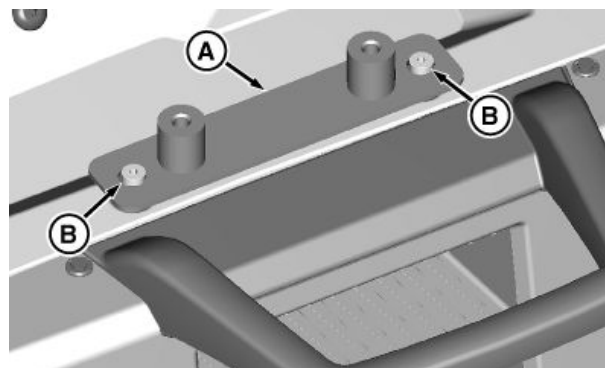
MXT020376 —UN—28MAR17

JK79365,0000869 -19-04APR17-1/4

2. Install bracket (A) with bolts (B).
3. Tighten bolts to 6.5 N·m (60 lb·in).

A—Bracket, Dash

B—Bolt, Shoulder, Socket Head, M6x31



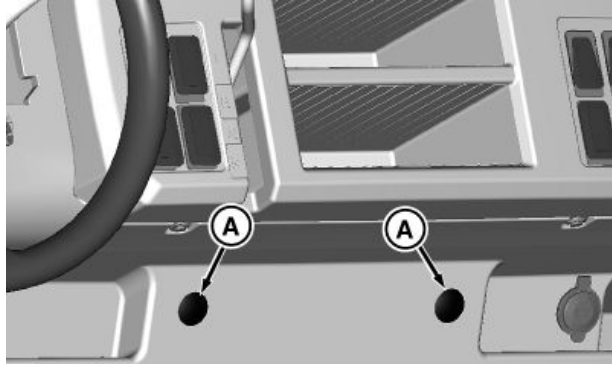
MXT020377 —UN—28MAR17

Continued on next page

JK79365,0000869 -19-04APR17-2/4

4. Remove plugs (A) from lower dash panel.

A—Plug



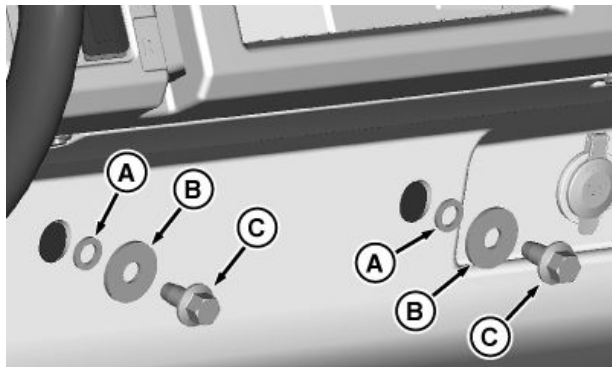
MXT020378 —UN—28MAR17

JK79365,0000869 -19-04APR17-3/4

5. Install washers (A) and screws (B).

A—Washer, 10x16x2mm
B—Washer, 10.5x30x2.5mm

C—Screw, Self-Tapping,
M10x20



MXT020379 —UN—04APR17

JK79365,0000869 -19-04APR17-4/4