

Front Weight Kit

BUC10220



JOHN DEERE

INSTALLATION INSTRUCTIONS

Front Weight Kit

UC19783 22JUN18 (ENGLISH)

**ZTrak™ Series Z720E, Z735E, Z530M, Z735M,
and Z740R Mowers**

**John Deere Turf Care
UC19783 (22JUN18)**

PRINTED IN U.S.A.
COPYRIGHT © 2018
DEERE & COMPANY
Moline, Illinois

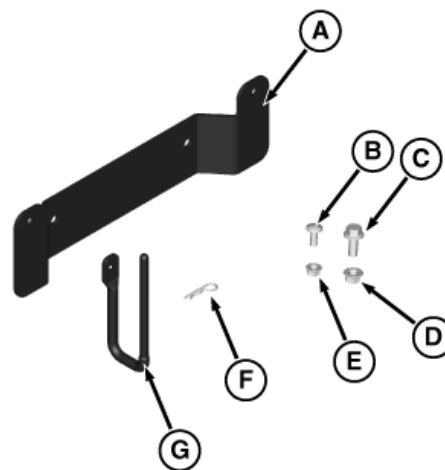
All rights reserved.
A John Deere ILLUSTRATION™ Manual

UC19783-19-22JUN18

Parts in Kit

Qty.	Description
1	Mounting Bracket (A)
2	Carriage Bolt, M8 x 1.25 x 20 (B)
2	Bolt, M10 x 1.5 x 25 (C)
2	Nut, M10 x 1.5 (D)
2	Nut, M8 x 1.25 (E)
2	Pin, Spring Locking (F)
2	Support Rod (G)
4	Weight, 8.2 kg (18 lb)

NOTE: Retain these installation instructions with the machine operator's manual.



TCT015453—UN—02MAY18

MX52301,0001F7B -19-02MAY18-1/1

Parking Safely

1. Stop machine on a level surface, not on a slope.
2. Disengage mower blades or any other attachments.
3. Lower attachments to the ground.
4. Lock the park brake.
5. Stop the engine.
6. Remove the key.
7. Wait for engine and all moving parts to stop before you leave the operator's seat.
8. Close fuel shut-off valve, if your machine is equipped.
9. Disconnect the negative battery cable or remove the spark plug wire(s) (for gasoline engines) before servicing the machine.

TH84124,000014A -19-28AUG12-1/1

Prepare Machine

1. Park machine safely. (See Parking Safely.)
2. Lower mower deck to lowest cut height position.

MX52301,0001F7C -19-20JUN18-1/1

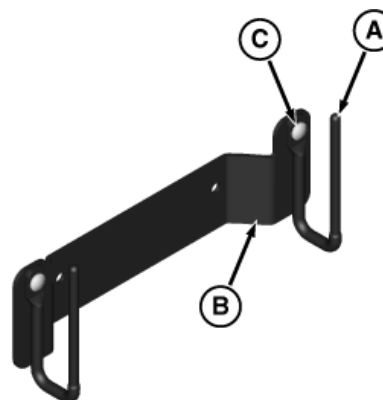
Install Kit

NOTE: Loosely tighten locknuts.

1. Align and install support rods (A) onto mounting bracket (B) with carriage bolts (C) and locknuts as shown.

A—Support Rod
B—Mounting Plate

C—Carriage Bolt, M8 x 20



TCT015435—UN—30APR18

Continued on next page

MX52301,0001F7D -19-20JUN18-1/5

2. Locate mounting plate assembly mounting holes (A) on the machine frame.

A—Mounting Hole

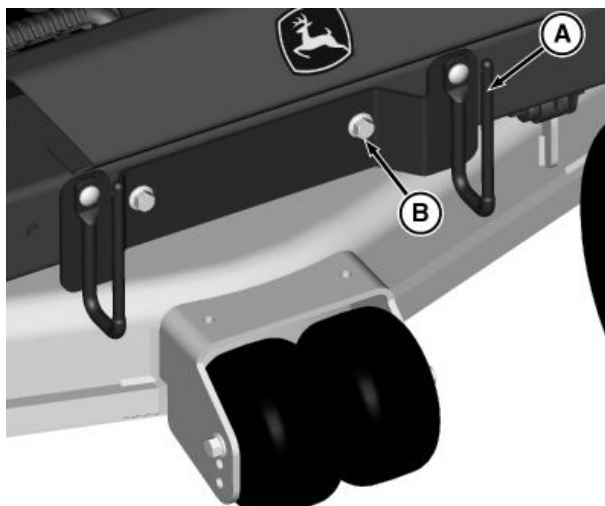


TCT015454—JUN—02MAY18

MX52301,0001F7D -19-20JUN18-2/5

3. Install mounting plate assembly (A) to machine with two M10 x 1.5 x 25 bolts (B) and M10 x 1.5 locknuts as shown. Tighten locknuts to 65 N·m (48 lb·ft).

A—Mounting Plate Assembly B—Machine



TCT015436—JUN—30APR18

Continued on next page

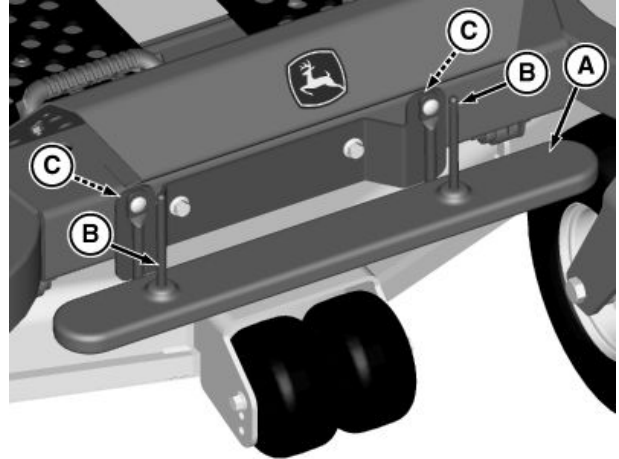
MX52301,0001F7D -19-20JUN18-3/5

NOTE: Install ballast weights onto support rods with indentations in weights facing downward toward ground.

4. Install first ballast weight (A) onto support rods (B) and side weight to bottom of each support rod.
5. Tighten support rod locknuts to 27.1 N·m (20 lb·ft).

A—Weight
B—Support Rod

C—Locknut



TCT016037—UN—20JUN18

MX52301,0001F7D -19-20JUN18-4/5

CAUTION: Avoid Injury! Install weights one at a time.

CAUTION: Avoid Injury! No more than four weights should ever be installed onto the weight holder brackets.

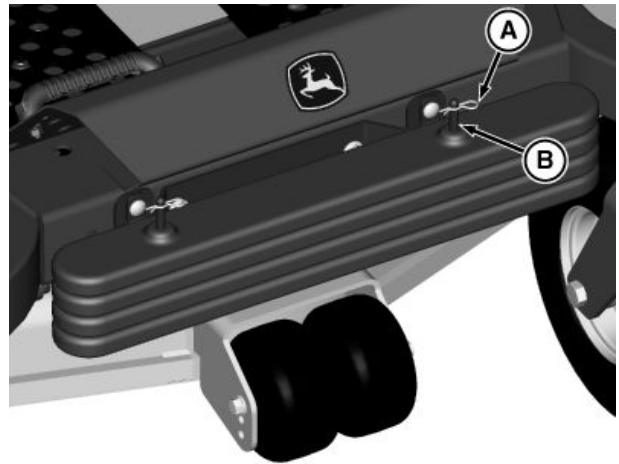
NOTE: Refer to the MCS hopper operator's manual for recommended weight requirements.

6. Install spring locking pin (A) into the end of each support rod (B).

NOTE: Remove bracket assembly if weights are removed from machine.

A—Spring Locking Pin

B—Support Rod



Shown with four weights installed.

TCT015437—UN—30APR18

MX52301,0001F7D -19-20JUN18-5/5

