

Fender Flare Kit

BUC10567



JOHN DEERE

INSTALLATION INSTRUCTIONS

Fender Flare Kit

UC18231 12MAY20 (ENGLISH)

HPX615E, HPX815E, TE, TH, TX, XUV825E, XUV825i,
XUV825i S4, XUV825M, XUV825M S4, XUV835E,
XUV835M, XUV835R, XUV855D, XUV855D S4, XUV855E,
XUV855M, XUV855M S4, XUV865E, XUV865M, and
XUV865R Gator™ Utility Vehicles

John Deere Horicon Works
UC18231 (12MAY20)

PRINTED IN U.S.A.
COPYRIGHT © 2020
DEERE & COMPANY
Moline, Illinois

All rights reserved.
A John Deere ILLUSTRATION™ Manual
Previous Editions
Copyright © 2018

UC18231-19-12MAY20

Parts in Kit

Quantity	Description
2	Fender Flare
20	Self-Tapping Screw, M8

NOTE: Retain these installation instructions with your machine operator's manual.

BVMSIT,00002BD -19-05MAY20-1/1

Parking Safely

Park the machine safely. See Parking Safely in your Operator's Manual.

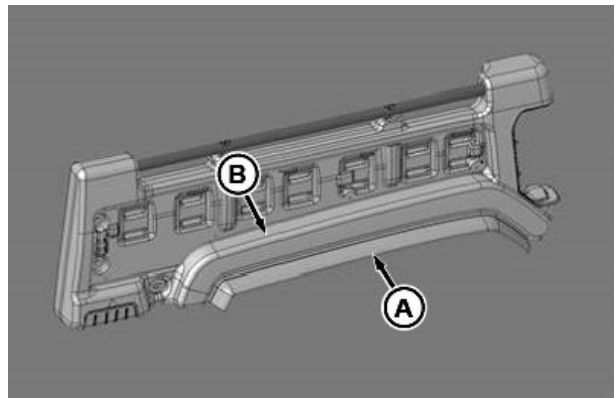
MX88017,0000007 -19-17OCT19-1/1

Install Fender Flares

1. Raise cargo box. (See vehicle 'Operator's Manual'.)
2. Line up fender flare (A) on the cargo box fender (B).

A— Fender Flare

B— Fender

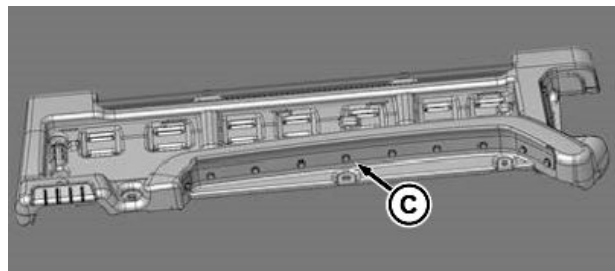


MXT008593 —UN—19MAR18

BVMSIT,00002BE -19-05MAY20-1/2

3. Install self-tapping screws (C) starting in the middle of the fender flare, working out to the edges. Be sure that the flare tightly follows the cargo box fender.
4. Repeat procedure for second fender flare.

C— Self-Tapping Screw, M8 (10 used)



MXT008592 —UN—19MAR18

BVMSIT,00002BE -19-05MAY20-2/2

