

# LED Beacon Light Kit

BUC10603



**JOHN DEERE**

## INSTALLATION INSTRUCTIONS

### LED Beacon Light Kit

UC18739 08AUG18 (ENGLISH)

Z915E, Z920M, Z925M Flex Fuel, Z930M, Z930R, Z945M  
EFI, Z950M, Z955M EFI, Z960M, Z970R, and Z994R

**John Deere Turf Care**  
**UC18739 (08AUG18)**

PRINTED IN U.S.A.  
COPYRIGHT © 2018  
DEERE & COMPANY  
Moline, Illinois

All rights reserved.  
A John Deere ILLUSTRATION™ Manual

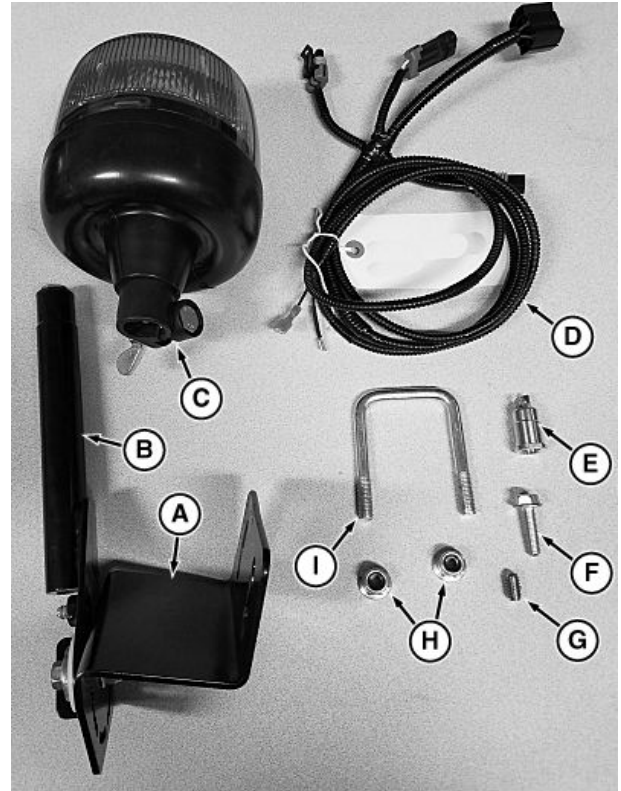
UC18739-19-08AUG18



**Parts in Kit**

Quantity	Description
1	Bracket Inner, Beacon Light (A)
1	Bracket Outer, Beacon Light (B)
1	Beacon Light (C)
1	Wiring Harness (D)
1	Socket Outlet (E)
1	Bolt, M8x30 (F)
1	Locknut, M8
1	Spring, Ball Nose (G)
2	Locknut, M10 (H)
1	U Bolt (I)
1	Washer
2	Washer, Non-Metallic
17	Tie Strap
1	Switch

*NOTE: Retain these installation instructions with the machine operator's manual.*



TCT015675—UN—08AUG18

BS62576,0002400 -19-09AUG18-1/1

**Parking Safely**

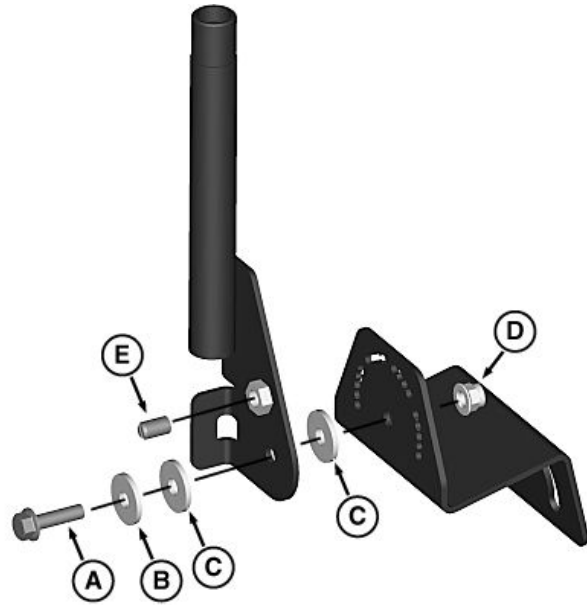
1. Stop machine on a level surface, not on a slope.
2. Disengage mower blades.
3. Lock the park brake.
4. Stop the engine.
5. Remove the key.
6. Wait for engine and all moving parts to stop before you leave the operator's station.
7. Close fuel shut-off valve, if your machine is equipped with one.
8. Remove the spark plug wire (for gasoline engines) before servicing the machine.

TH84124,00001D9 -19-27FEB18-1/1

### Install Beacon Light

1. Insert bolt (A) through washer (B), non-metallic washer (C), and outer mounting bracket.
2. Continue through the second non-metallic washer (C) between inner and outer bracket.
3. Install locknut (D) on the backside of bracket.
4. Install ball nose spring (E) into welded nut on bracket.

A—Bolt, M8x30  
 B—Washer  
 C—Washer Non-Metallic  
 D—Locknut, M8  
 E—Spring, Ball Nose



TCT015686—UN—08AUG18

BS62576,0002401 -19-09AUG18-1/4

**IMPORTANT: Avoid damage! Install mounting bracket (B) as high as possible on ROPS post. Make sure that no part of the safety label is covered.**

5. Install light bracket (B) to ROPS post with u-bolt (A) and nuts (C).

A—U-Bolt  
 B—Light Bracket  
 C—Locknuts, M10



TCT015676—UN—08AUG18

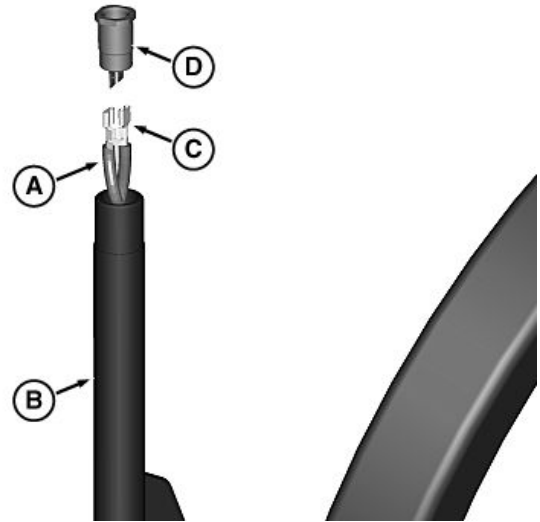
Continued on next page

BS62576,0002401 -19-09AUG18-2/4

6. Route wiring harness (A) up through the light bracket (B).
7. Connect harness connectors (C) to the socket outlet (D).
8. Carefully install socket outlet (D) inside the light bracket (B), unwinding wires as you rotate.

A—Wiring Harness  
B—Light Bracket

C—Harness Connectors  
D—Socket Outlet



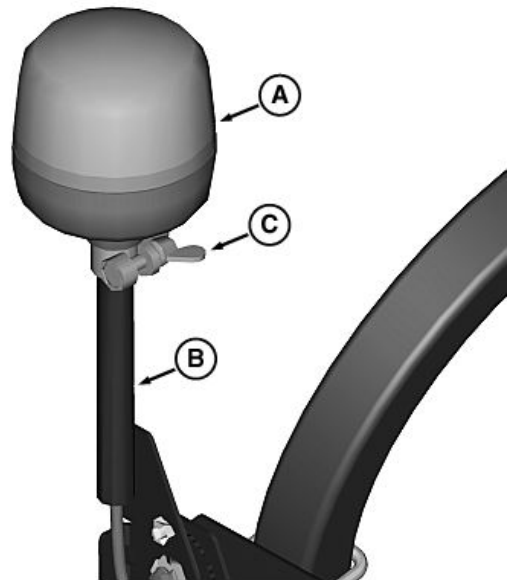
TCT015685 —UN—07AUG18

BS62576,0002401 -19-09AUG18-3/4

9. Install beacon light (A) on the light bracket (B).
10. Tighten wing nut (C).
11. Rotate beacon light to desired position.

A—Beacon Light  
B—Light Bracket

C—Wing Nut



TCT015678 —UN—06AUG18

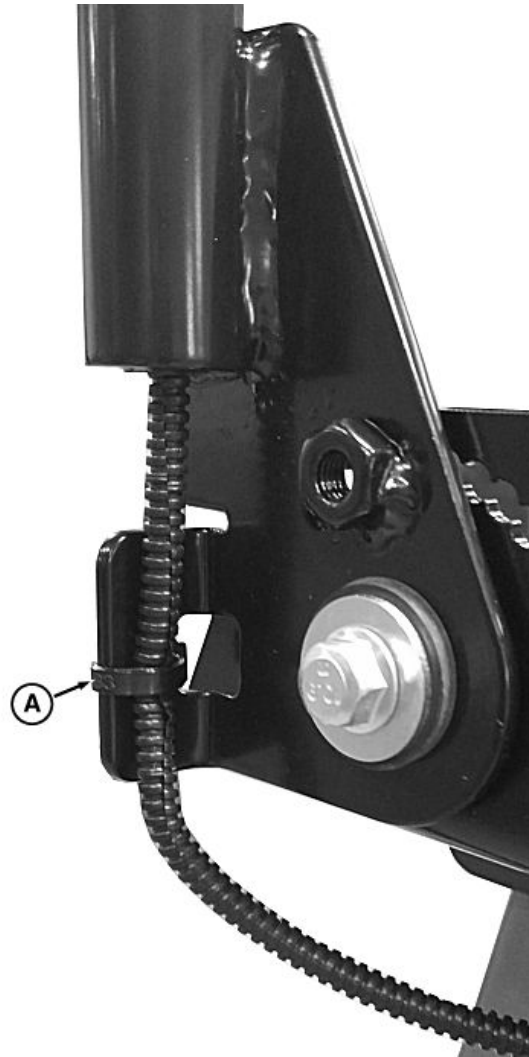
BS62576,0002401 -19-09AUG18-4/4

### Install Beacon Light Wiring Harness

*NOTE: Secure harness to necessary locations to keep harness from rubbing.*

1. Install tie strap (A) to the outer bracket.

A—Tie Strap



TCT015687—UN—08AUG18

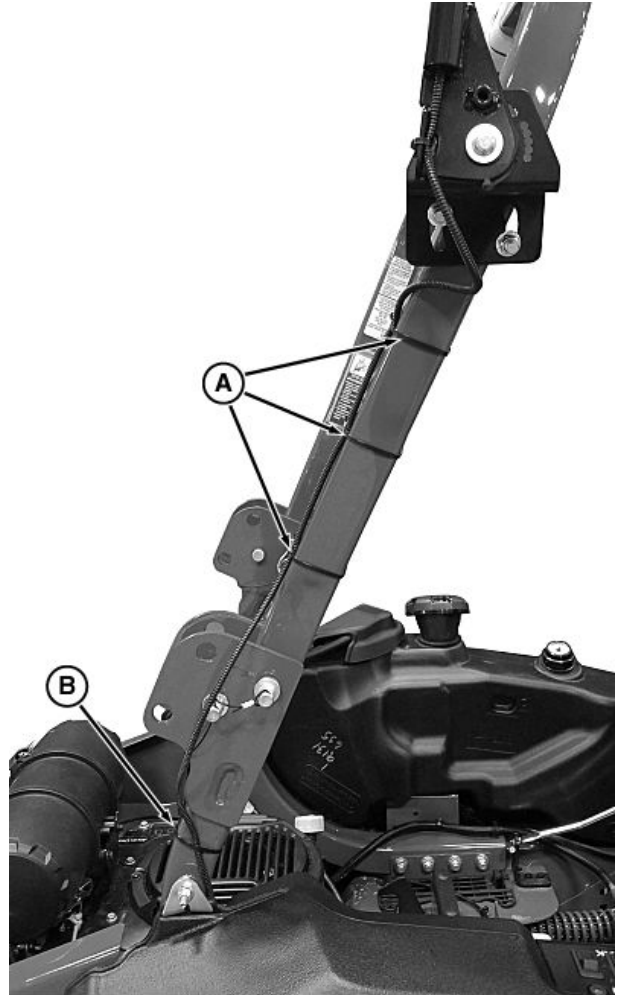
Continued on next page

BS62576,0002402 -19-09AUG18-1/6

2. Install tie straps (A) on ROPS with harness on the backside of the machine.
3. Install tie strap (B) on lower section of ROPS below the hinge.

A—Tie Strap

B—Tie Strap



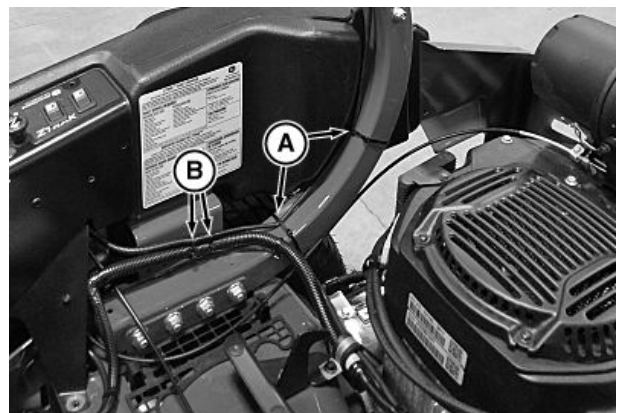
TCT015668—UN—08AUG18

BS62576,0002402 -19-09AUG18-2/6

4. Install tie straps (A) to lower portion of ROPS as shown.
5. Install tie straps (B) to main wire harness.

A—Tie Strap

B—Tie Strap



TCT015689—UN—08AUG18

Continued on next page

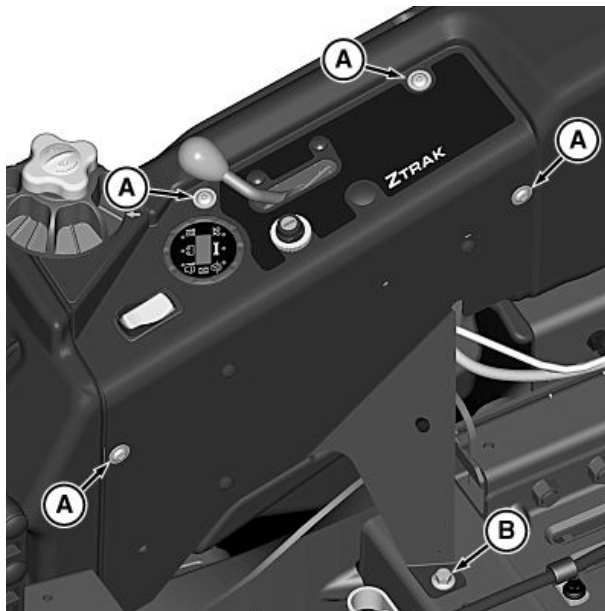
BS62576,0002402 -19-09AUG18-3/6

*NOTE: Seat removed for photo clarity. It is not necessary to remove the seat.*

6. Raise seat for access.
7. Remove screws (A) and lower screw (B) from the side panel.
8. Remove side panel from console.

**A—Screws**

**B—Screw**



TCT015692—UN—08AUG18

BS62576,0002402 -19-09AUG18-4/6

9. Remove switch knock out piece (A) from the side panel.
10. Install light switch to the panel.

**A—Knock Out**



TCT015691—UN—08AUG18

Continued on next page

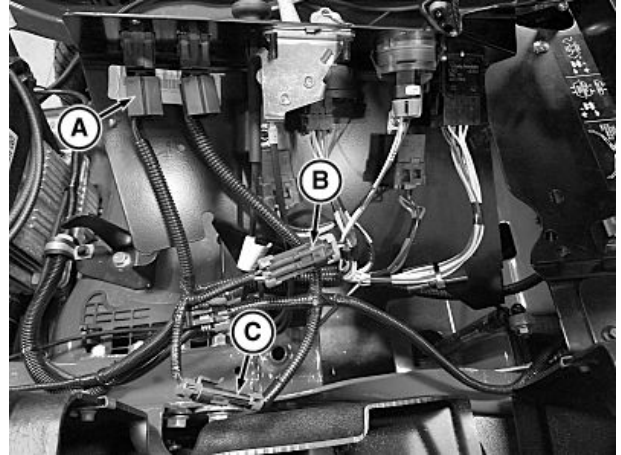
BS62576,0002402 -19-09AUG18-5/6



11. Route harness inside the console panel to protect from pinching.
12. Route harness along main harness, connecting with tie straps.
13. Connect light harness to switch (A).
14. Connect light harness to chassis connector (B).
15. Connect light harness auxiliary light connector (C) (if equipped).
16. Install side panel to console.

**A—Switch**  
**B—Chassis Connector**

**C—Auxiliary Connector**



TCT015690—UN—08AUG18

BS62576,0002402 -19-09AUG18-6/6





