

Seat Suspension Kit

LVB25688



JOHN DEERE

INSTALLATION INSTRUCTIONS

LVU16694 24MAY16 (ENGLISH)

3120, 3320, 3520, 3720, 4120, 4320, 4520, 4720, 3033R,
3038R, 3039R, 3045R, 3046R

John Deere Augusta Works
LVU16694 (24MAY16)

PRINTED IN U.S.A.
COPYRIGHT © 2016
DEERE & COMPANY
Moline, Illinois

All rights reserved.
A John Deere ILLUSTRATION™ Manual
Previous Editions
Copyright © 2009, 2014

LVU16694-19-24MAY16

Introduction

IMPORTANT: Read through this instruction thoroughly and familiarize yourself with the tractor before installing parts.

This instruction demonstrates procedures for installing the Seat Suspension Kit.

UP00731,00001AE -19-09MAY14-1/1

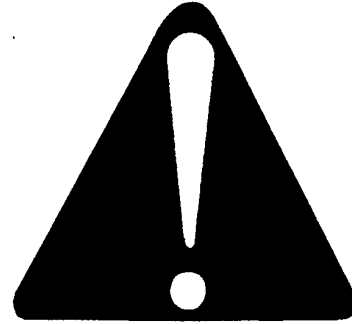
Recognize Safety Information

CAUTION: To prevent bodily injury, machine damage or component failure:

- Use proper tools for the job.
- Do not take shortcuts; follow procedure as listed.
- Read and heed all **WARNINGS** placed within instructions.

This is a safety-alert symbol. When you see this symbol on your machine or in this manual, be alert to the potential for personal injury.

Follow recommended precautions and safe operating practices.



T81389 —UN—28JUN13

OUO1023,000386C -19-22FEB13-1/1

Kit Parts List

Quantity	Description
1	Suspension
1	Slide Assembly, Left
1	Slide Assembly, Right
1	Tilt Plate Assembly
4	Bolt, Square Head
8	Bolt, M8 x 16 mm
4	Washer, .344 x .688
8	Locknut
4	Pin, 6.35 mm x 15.5 mm
8	Pin, 4.75 mm x 12.2 mm
14	Pin, 6.35 mm x 11,1 mm
4	Bolt, M8 x 20 mm
4	Washer, 10.5 mm x 30 mm
2	Bolt, Allen Head
1	Wiring Harness (Not required for 3033R, 3038R, 3039R, 3045R, 3046R Tractors)

UP00731,00001AF -19-27MAY14-1/1

Parking Safely

1. Stop machine on a level surface.
2. Disengage PTO and stop attachments.
3. Lower attachments to the ground.
4. Engage park brake.
5. Stop engine.
6. Remove key.
7. Wait for engine and all moving parts to stop before you leave the operator's station.
8. Disconnect the negative (-) battery cable before servicing the machine.

OUO1023,000386E -19-22FEB13-1/1

Remove Seat Assembly With Mechanical Suspension

1. Tilt seat forward and disconnect harness (A) from seat switch.

2. Remove four bolts (B) and seat from tilt attach plate.

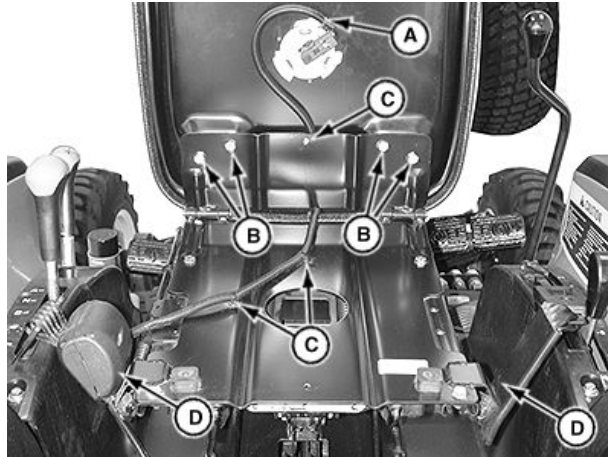
NOTE: Remove harness clamps carefully to use again.

3. Remove harness clamps (C) from tilt attach plate and move harness out of work area.

4. Remove bolt mounting the seat belt assemblies (D) to tilt attach plate. Discard bolts.

A—Harness
B—Bolts

C—Harness Clamps
D—Seat Belt Assembly



LV21874—UN—19MAY14

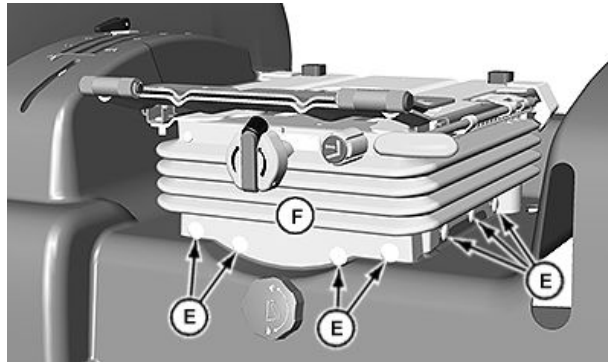
UP00731,00001B0 -19-27MAY14-1/3

5. Remove all pins (E).

6. Lift boot (F) to reach inside suspension.

E—Pins

F—Boot

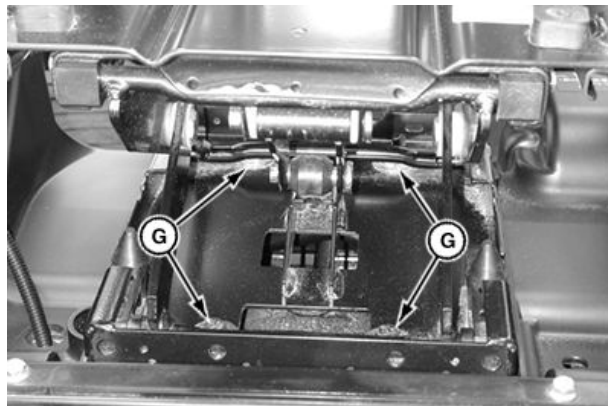


Not all models have boot and pins.

LV21873—UN—19MAY14

UP00731,00001B0 -19-27MAY14-2/3

7. Remove four bolts (G) and washers mounting the suspension to tractor. Remove suspension.



Model with no boot, shown from rear of tractor.

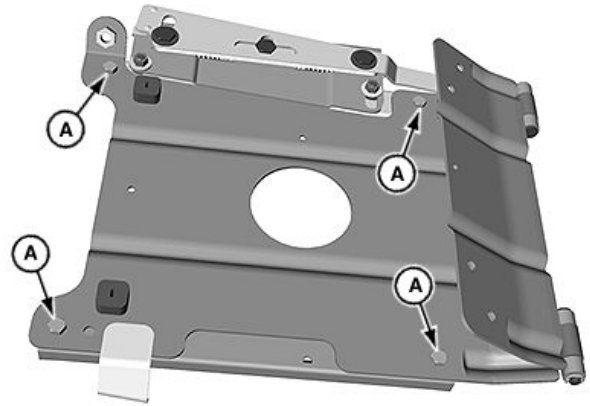
LV21872—UN—19MAY14

UP00731,00001B0 -19-27MAY14-3/3

Install Seat Assembly With Air Suspension

1. Install slide assemblies on tilt attach plate as shown with four M8 x 19 mm bolts (A) and four locknuts.

A—Bolts



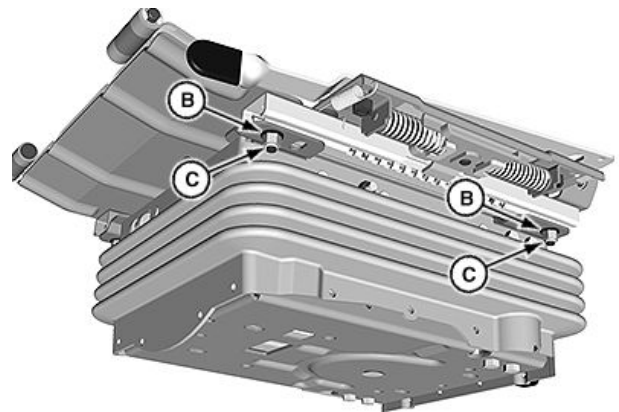
LV21871 —UN—19MAY14

UP00731,00000F9 -19-10MAR16-1/5

2. Install tilt attach plate with slide assemblies on suspension as shown with four square head bolts, .344 x .688 washers (B) and locknuts (C).

B—.344 x .688 Washers

C—Locknuts



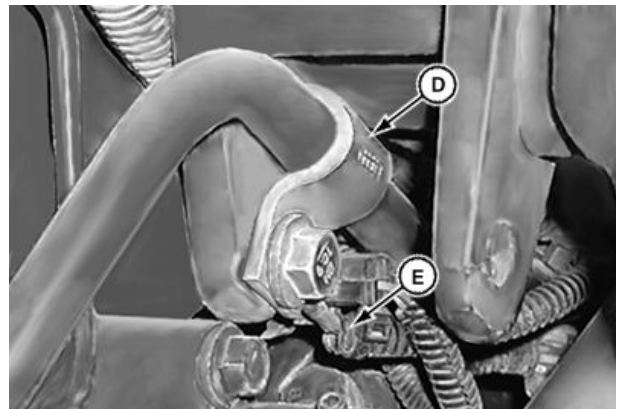
LV21870 —UN—19MAY14

UP00731,00000F9 -19-10MAR16-2/5

3. Remove oil line clamp (D) at the lower rear left hand foot deck support. Note: Not required for 3033R, 3038R, 3039R, 3045R, 3046R tractors.
4. Connect ground wire end of suspension wiring harness (E) and replace oil line clamp to secure. Note: Not required for 3033R, 3038R, 3039R, 3045R, 3046R tractors.

D—Oil Line Clamp

E—Wiring Harness



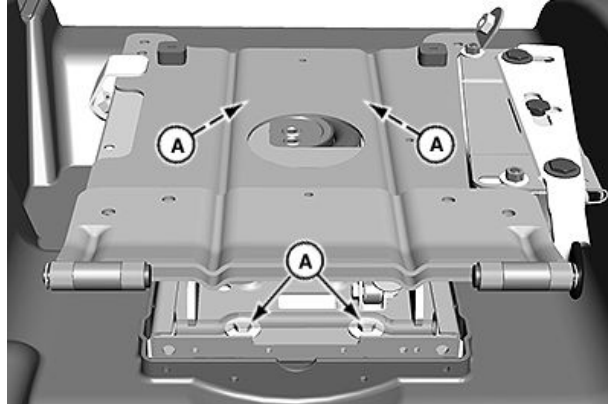
LV21869 —UN—19MAY14

Continued on next page

UP00731,00000F9 -19-10MAR16-3/5

5. Install suspension and harness ground wire (ground wire not required for 3033R, 3038R, 3039R, 3045R, 3046R tractors) on tractor with four M8 x 20 mm bolts (A) and four 10.5 mm x 30 mm washers. Tighten to 20 N•m (15 lb-ft).

A—M8 x 20 mm Bolts

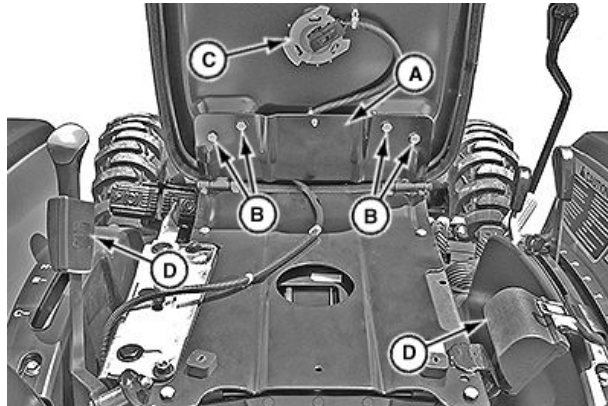


Boot removed to show bolts, shown from rear of tractor.

UP00731,00000F9 -19-10MAR16-4/5

LV21868 —UN—10MAR16

6. Install seat switch harness with clamps in tilt attach plate. Route harness over hinge plate (A) as shown before installing seat.
7. Install seat on tilt attach plate with four M8 x 19 mm bolts (B).
8. Connect harness to seat switch:
 - 3120, 3320, 3520, 3720, 4120, 4320, 4520 and 4720 tractors: Connect harness to seat switch (C).
 - 3033R, 3038R, 3039R, 3045R and 3046R tractors: Locate existing harness connector on chassis harness and connect seat switch (C).
9. Install seat belt assemblies (D) to attach tilt plate with washers and M10 x 25 mm bolts. Tighten to 41 N•m (31 lb-ft).
10. Install boot on tractor closeout flange with pins:
 - Tractor models 3120, 3320, 3520, 3720, 3033R, 3038R, 3039R, 3045R and 3046R use eight 4.75 mm x 12.2 mm pins on front and sides of seat, and four 6.35 mm x 15.5 mm pins on rear of seat.



**A—Hinge Plate
B—Bolt**

**C—Seat Switch
D—Seat Belt Assembly**

- Tractor models 4120, 4320, 4520 and 4720 use fourteen 6.35 mm x 11.1 mm pins.

UP00731,00000F9 -19-10MAR16-5/5

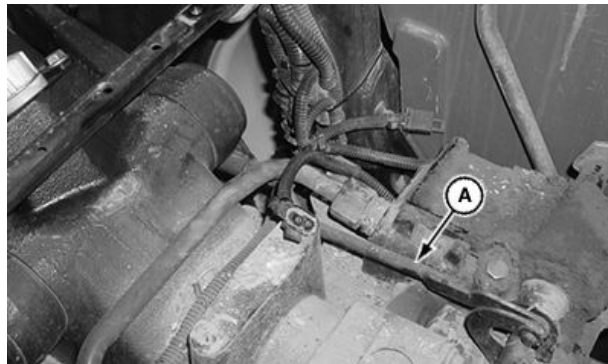
LV21867 —UN—10MAR16

Complete Wire Harness Installation

NOTE: Wire harness installation is not required for 3033R, 3038R, 3039R, 3045R, 3046R tractors.

1. Route suspension wiring harness (A) from seat location down underneath tractor toward the left fender and away from moving parts.

A—Wiring Harness



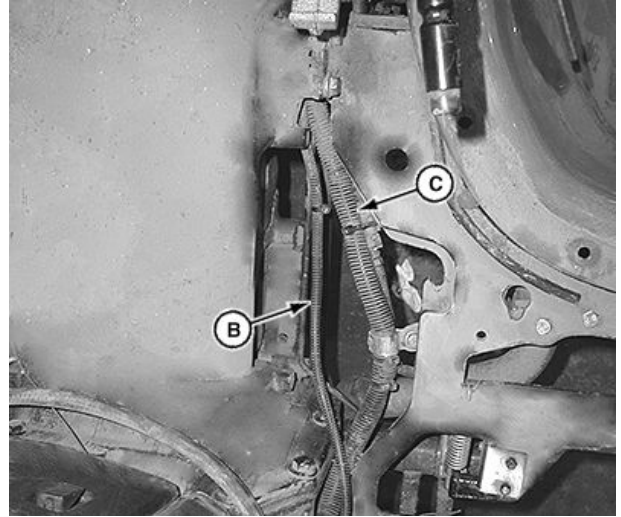
Continued on next page

UP00731,00001B3 -19-10MAR16-1/6

LV21866 —UN—19MAY14

2. Pull back floor mat on left side of tractor and route suspension harness (B) toward front body, keeping away from moving parts.
3. Secure suspension harness to main wire harness (C) with wire ties as needed.
4. Route suspension harness upward in front of foot deck and to fuse block. Install floor mat.
5. Remove two nuts mounting the fuse block, and move fuse block out from panel.
6. If a divertor kit is not installed on the tractor:

B—Suspension Harness **C—Main Wire Harness**



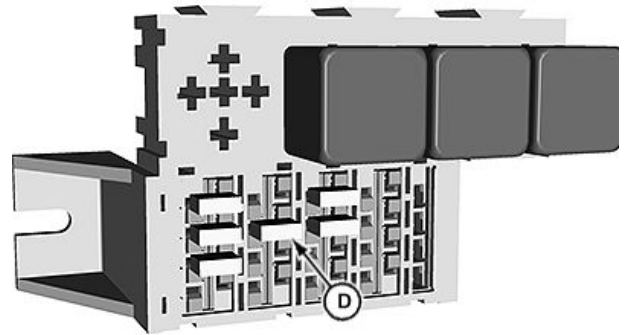
Foot deck removed to show harness routing. It is not necessary to remove foot deck for installation.

LV21865—UN—19MAY14

UP00731,00001B3 -19-10MAR16-2/6

- a. Remove 20 amp fuse (D).

D—20 amp Fuse

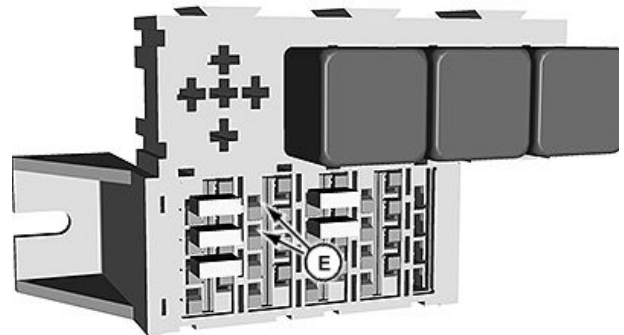


LV21864—UN—19MAY14

UP00731,00001B3 -19-10MAR16-3/6

- b. Remove two orange locking tabs (E).

E—Locking Tabs



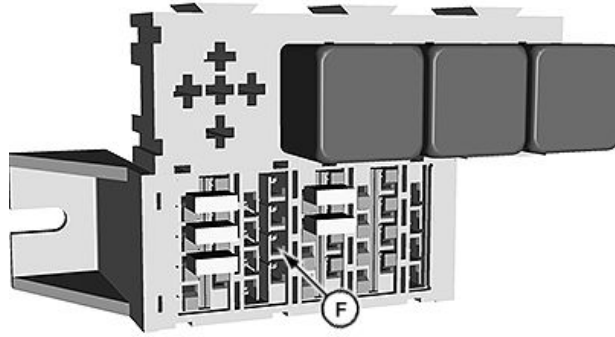
LV21863—UN—19MAY14

Continued on next page

UP00731,00001B3 -19-10MAR16-4/6

- c. Install harness connector in third fuse position from top of block (F).
 - d. Install two orange locking tabs.
 - e. Install 20 amp fuse.
 - f. Cover the unused harness butt splice with electrical tape.
7. If a diverter kit is installed on the tractor:

F—Top of Block



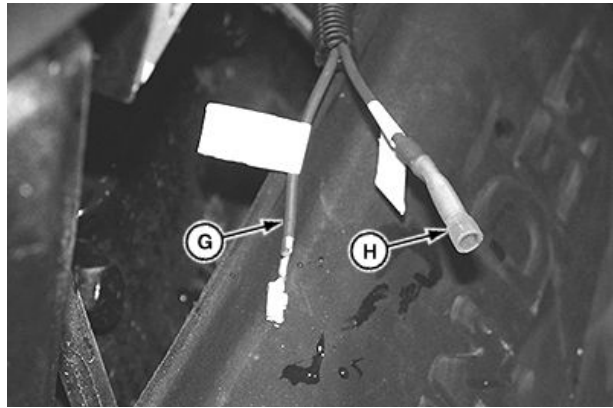
LV21862 —UN—19MAY14

UP00731.00001B3 -19-10MAR16-5/6

- a. Cut and strip the power wire (G) on the suspension wiring harness.
 - b. Connect the stripped power wire to the diverter harness butt splice near the fuse block.
 - c. Crimp the joined butt splice and power wire. Heat the butt splice shrink wrap to seal the joint.
 - d. Cover the unused suspension harness butt splice (H) with electrical tape.
8. Install fuse block with two nuts.

G—Power Wire

H—Splice



LV21861 —UN—19MAY14

UP00731.00001B3 -19-10MAR16-6/6

Test Installation

⚠ CAUTION: Avoid injury! Engine exhaust fumes contain carbon monoxide and can cause serious illness or death.

Move the machine to an outside area before running the engine.

Do not run an engine in an enclosed area without adequate ventilation.

—Connect a pipe extension to the engine exhaust pipe to direct the exhaust fumes out of the area.

—Allow fresh outside air into the work area to clear the exhaust fumes out.

The safety systems installed on your machine should be checked before each machine use. Be sure you have read the machine operator manual and are completely familiar with the operation of the machine before performing these safety system checks.

Use the following checkout procedures to check for normal operation of machine.

If there is a malfunction during one of these procedures, do not operate machine. See your authorized dealer for service.

Perform these tests in a clear open area. Keep bystanders away.

Test Seat Switch (PowrReverser)

1. Sit on operator's seat.
2. Lock park brake.
3. Push the rear and mid-PTO knobs to the disengaged/off position.
4. Depress clutch pedal completely and move the transmission range and gear shift levers into the N (neutral) position.
5. Start machine engine. Set engine speed at 1500 rpm.
6. Depress clutch pedal completely and:
 - a. Move the transmission gear shift lever to any position other than N (neutral) position.
 - b. Move the reverser lever to the forward or reverse position.
7. Raise up from operator's seat while depressing clutch pedal completely.
8. Engine should stop.
9. Turn key switch to off position and move transmission gear shift lever to the N (neutral) position.

Test Rear PTO/Seat Switch Interface

1. Sit on operator's seat.

2. Lock park brake.
3. Push the rear and mid-PTO knobs to the disengaged/off position.
4. PowrReverser: Depress clutch pedal completely and:
 - a. Move the transmission range and gear shift levers into the N (neutral) position.
 - b. Move the reverser lever to the center neutral position.
5. Start engine.
6. PowrReverser: Release clutch pedal.
7. Pull the rear PTO knob to the engaged/on position.
8. Raise up from operator's seat. Do not dismount machine.
9. Engine should stop. Engine shut-off solenoid must de-energize in 1/2 second, causing the engine to stop.
10. Push the rear PTO knob to the disengaged/off position.
11. Turn key switch to off position.

Test Mid-PTO/Seat Switch Interface

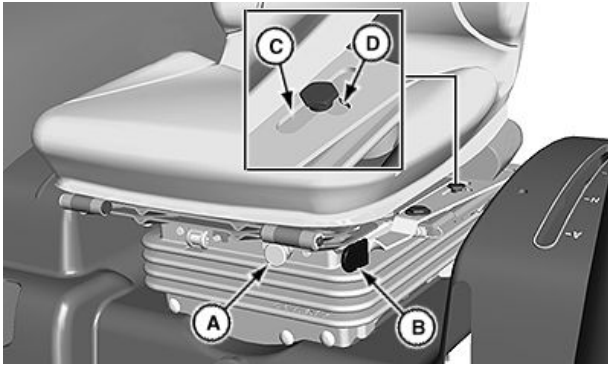
1. Sit on operator's seat.
2. Lock park brake.
3. Push the rear and mid-PTO knobs to the disengaged/off position.
4. PowrReverser: Depress clutch pedal completely and:
 - a. Move the transmission range and gear shift levers into the N (neutral) position.
 - b. Move the reverser lever to the center neutral position.
5. Start engine. Set engine speed at 1500 rpm.
6. PowrReverser: Release the clutch.
7. Raise up from operator's seat. Do not dismount machine.
8. Pull the mid-PTO knob to the engaged/on position.
9. Pull the rear PTO knob to the engaged/on position.
10. Engine should stop. Engine shut-off solenoid must de-energize in 1/2 second, causing the engine to stop.
11. Push both PTO knobs to disengaged/off position.
12. Turn key switch to off position.

Check Operation

1. Push knob (A) in to inflate the suspension.
2. Pull knob (A) out to deflate the suspension.
3. Move lever (B) inward to release the fore/aft isolation.

Continued on next page

UP00731,00001B4 -19-27MAY14-1/3



A—Knob
B—Lever

C—Slot
D—Locked Position

- Pin will slide in long slot (C).
4. Move lever (B) outward to lock the fore/aft isolation.
- Lever will first release the seat slides. Additional force on the lever will move pin into locked position (D).

LV21860—JUN—19MAY14

Continued on next page

UP00731,00001B4 -19-27MAY14-2/3

