

Hammerstrap and Chain Clevis

LVB25949 and RE242110



JOHN DEERE

INSTALLATION INSTRUCTIONS

R275864 10AUG20 (ENGLISH)

5090R, 5100R, 5115R, 5115RH, 5125R, 5065M, 5075M,
5085M, 5090M, 5095M, 5095MH, 5100M, 5100MH, 5105M,
5105ML, 5115M, and 5125M Tractors

**John Deere Augusta Works
R275864 (10AUG20)**

PRINTED IN U.S.A.
COPYRIGHT © 2020
DEERE & COMPANY
Moline, Illinois

All rights reserved.
A John Deere ILLUSTRATION™ Manual
Previous Editions
Copyright © 2008, 2014, 2017, 2018, 2019

R275864-19-10AUG20

Introduction

IMPORTANT: Read through this instruction thoroughly and familiarize yourself with the tractor before installing parts.

This instruction demonstrates procedures for installing a hammer strap and chain clevis kit on a tractor.

AP43109,00000A5 -19-22AUG08-1/1

Recognize Safety Information

CAUTION: To prevent bodily injury, machine damage or component failure:

- Use proper tools for the job.
- Do not take shortcuts; follow procedure as listed.
- Read and heed all **WARNINGS** placed within instructions.

This is a safety-alert symbol. When you see this symbol on your machine or in this manual, be alert to the potential for personal injury.

Follow recommended precautions and safe operating practices.

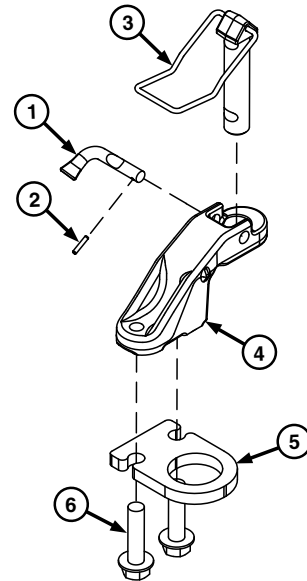


T81389 —UN—28JUN13

AP43109,00000A6 -19-21JUL08-1/1

Parts in Kit

Item	Description	Quantity
1	Retention Pin	1
2	Spring Pin	1
3	Hammer strap Pin	1
4	Hammer strap	1
5	Chain Clevis	1
6	Hex Head Flange Screw	2



LV13132 —UN—24APR08

AP43109,00000A7 -19-22AUG08-1/1

Install Hammer strap and Chain Clevis

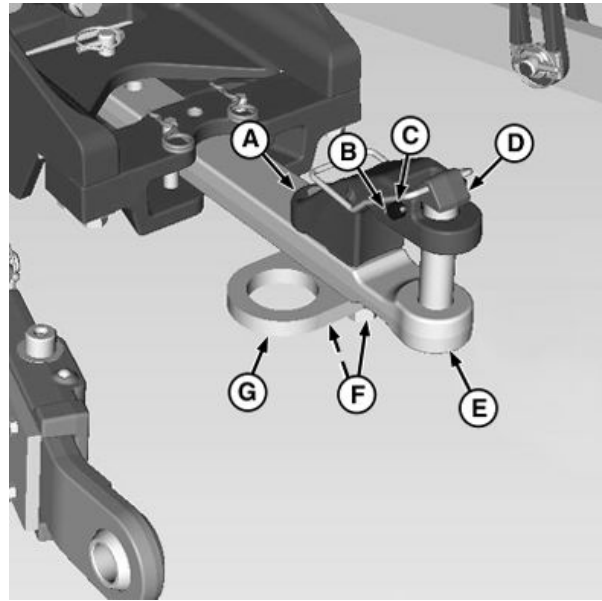
1. Position drawbar to full extend position.
2. Install hammer strap (A) and clevis (G) onto drawbar (E) using hex head flange screws (F). Tighten to specification.

Specification

Hammer strap Cap
 Screws—Torque.....620 ± 124 N·m
 457 ± 91 lb-ft

3. Install hammer strap pin (D) into hammer strap (A).
4. Install retention pin (C) along with spring pin (B).

- | | |
|---|---|
| A —Hammer strap (Item 4 on Parts List) | E —Drawbar |
| B —Spring Pin (Item 2 on Parts List) | F —Hex Head Flange Screws (Item 6 on Parts List) |
| C —Retention Pin (Item 1 on Parts List) | G —Chain Clevis (Item 5 on Parts List) |
| D —Hammer strap Pin (Item 3 on Parts List) | |



LV13133 —UN—29APR08

OUO1023,0002AFB -19-21JUL08-1/1