

Engine Side Frame Kit

LVB26136 and SJ12010



JOHN DEERE

INSTALLATION INSTRUCTIONS

SU23028 30APR18 (ENGLISH)

**5065M, 5075M, 5085M, 5095M, 5095MH, 5105M, 5105ML,
5100ML, 5115ML, and 5125ML, Tractors**

**John Deere Augusta Works
SU23028 (30APR18)**

PRINTED IN U.S.A.
COPYRIGHT © 2018
DEERE & COMPANY
Moline, Illinois

All rights reserved.
A John Deere ILLUSTRATION™ Manual
Previous Editions
Copyright © 2010, 2014, 2016

SU23028-19-30APR18

Introduction

IMPORTANT: Read through this instruction thoroughly and familiarize yourself with the tractor before installing parts.

This instruction demonstrates procedures for installing engine side frame kit on a tractor.

JZ81662,000011D -19-01APR10-1/1

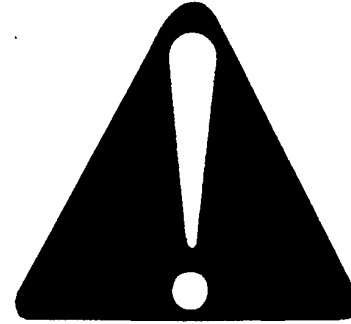
Recognize Safety Information

CAUTION: To prevent bodily injury, machine damage or component failure:

- Use proper tools for the job.
- Do not take shortcuts; follow procedure as listed.
- Read and heed all **WARNINGS** placed within instructions.

This is a safety-alert symbol. When you see this symbol on your machine or in this manual, be alert to the potential for personal injury.

Follow recommended precautions and safe operating practices.



T81389—UN—28JUN13

OUO1023,0002B27 -19-13OCT08-1/1

Parts in Kit

Part Number	Description	Quantity
R251414	Left Side Frame	1
R251416 (older) or SU47912 (newer)	Right Side Frame	1
19M9134	Cap Screw (M20 x 80 mm)	6
19M9140	Cap Screw (M20 x 140 mm)	4
R94361	Flat Washer	10

JZ81662,000011F -19-01APR10-1/1

Prepare Tractor

1. Park tractor on level surface and engage park brake.

2. Place wheel chocks or wood blocks in front of and behind rear wheels.

3. Lower rockshaft and turn engine off.

JZ81662,0000123 -19-13APR10-1/1

Install Side Frames

NOTE: Left side shown, the procedure is the same for right side.

NOTE: Left side tire and wheel assembly shown removed for clarity.

1. Remove and discard cap screws and washers (A), and cover plate (B). Repeat this step on opposite side.

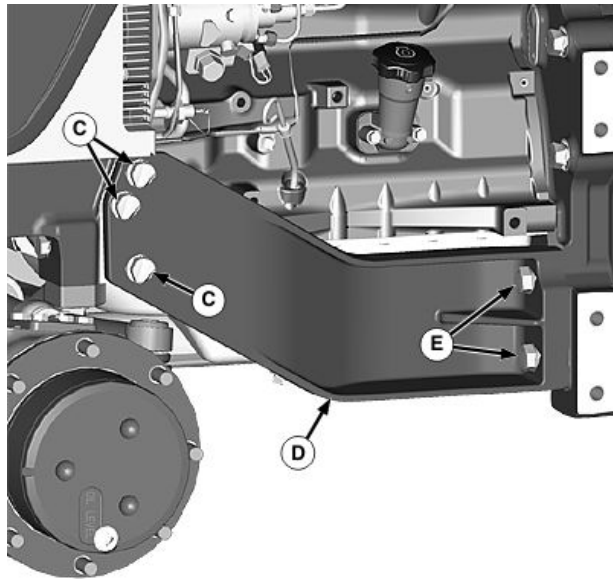
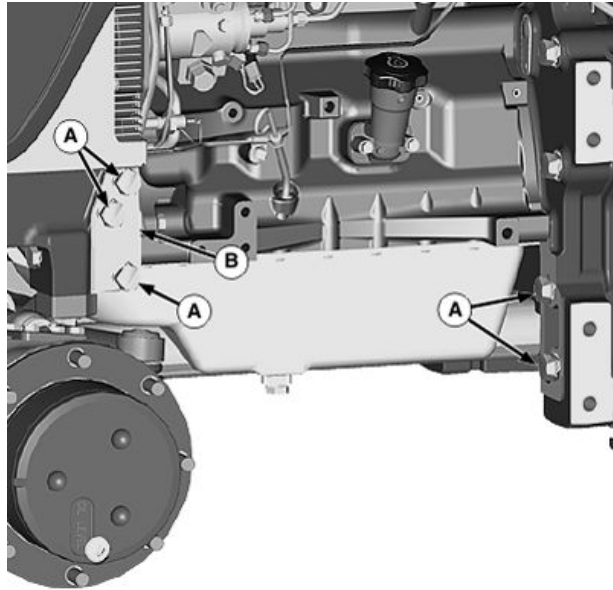
CAUTION: Approximate weight for each side frame is 24 kg (60 lb.). Use a suitable lifting device to install side frames.

2. Install left side frame (D) using cap screws and flat washers (C and E). Tighten to specification. Repeat this step on opposite side.

Torque—Specification

Cap Screws—Torque..... 438 N•m (323 lb-ft.)

- | | |
|--|---|
| A—Cap Screw and Washer | D—Left Side Frame R251414 |
| B—Cover Plate | E—Cap Screw 19M9140 (M20 x 140 mm) and Flat Washer R94361 |
| C—Cap Screw 19M9134 (M20 x 80 mm) and Flat Washer R94361 | |



Left Side Frame

LV14003 —JUN—13APR10

LV14004 —JUN—13APR10

JZ81662,0000121 -19-13APR10-1/1