



JOHN DEERE

# Product Services Information

## INSTALLATION INSTRUCTIONS

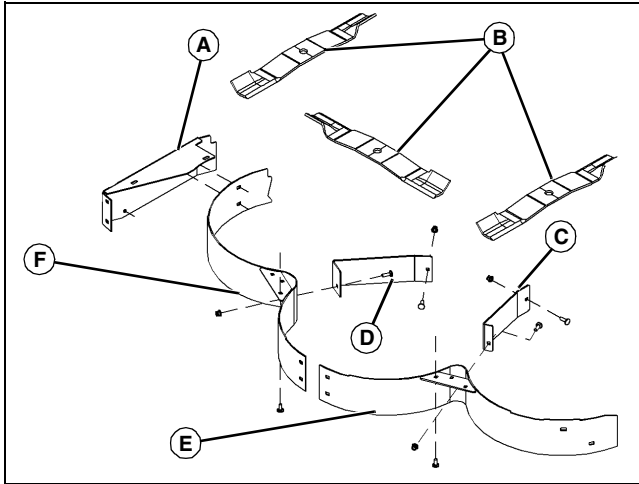
(Includes English, French, German, Spanish and Italian)



JOHN DEERE

### COMMERCIAL MULCH KIT

#### Parts in Kit



MX21519

Qty.	Description
1	Plate, Discharge Chute (A)
3	Blade, Mulching (B)
1	Chamber Separator, Left (Use on 48, 54 and 60 in. decks) (C)
1	Chamber Separator, Left (Use on Z900 Series with a 60 in. deck) (Not Shown)
1	Chamber Separator, Right (D)
1	Mulch Baffle, Left (E)
1	Mulch Baffle, Right (F)
1	Bag of Parts

#### Bag of Parts (48-Inch Kit)

Qty.	Description
4	Carriage Bolt, M8x20 Round Head

Qty.	Description
14	Carriage Bolt, M8x25 Round Head
20	Flange Locknut, M8
2	Washer, 8.4x17x1.6 mm

#### Bag of Parts (54-Inch Kit)

Qty.	Description
4	Carriage Bolt, M8x20 Round Head
14	Carriage Bolt, M8x25 Round Head
20	Locknut, Flanged M8
1	Washer, 8.4x17x1.6 mm

#### Bag of Parts (60-Inch Kit)

Qty.	Description
13	Carriage Bolt, M8x20 Round Head
6	Carriage Bolt, M8x25 Round Head
20	Flange Locknut, M8

**NOTE: Retain this instruction sheet with your machine operator's manual for future use.**

#### Parking Safely

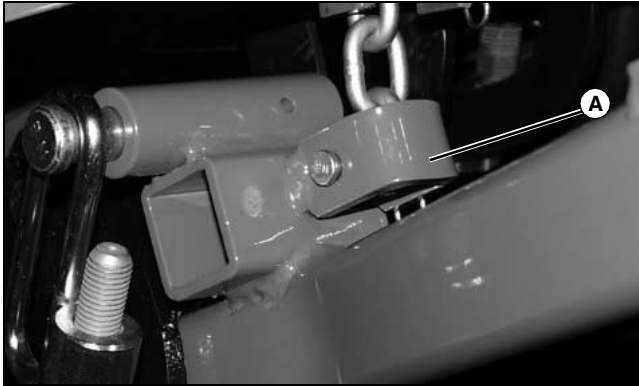
1. Stop machine on a level surface, not on a slope.
2. Move motion control levers out to the neutral lock position.
3. Disengage mower blades.
4. Lower attachments to the ground.
5. Lock the park brake.
6. Stop the engine.
7. Remove the key.
8. Wait for engine and all moving parts to stop before you leave the operator's seat.
9. Close fuel shut-off valve, if your machine is equipped.

10. Disconnect the negative battery cable or remove the spark plug wire(s) (for gasoline engines) before servicing the machine.

## Prepare Machine for Service

### Front Mower

1. Rotate the mower deck to the service position (front mowers) or remove the mower deck from the machine and flip to access the underside of the deck. (See Service Mower section in machine operator's manual).



MX7024

2. Engage and secure deck service latches (A).

### Compact Utility Tractor

1. Follow machine operator's manual instructions to remove mower deck from tractor.
2. Use a safe lifting device to raise mower deck to access the blades.
  - Support with jack stands and/or wooden blocks.

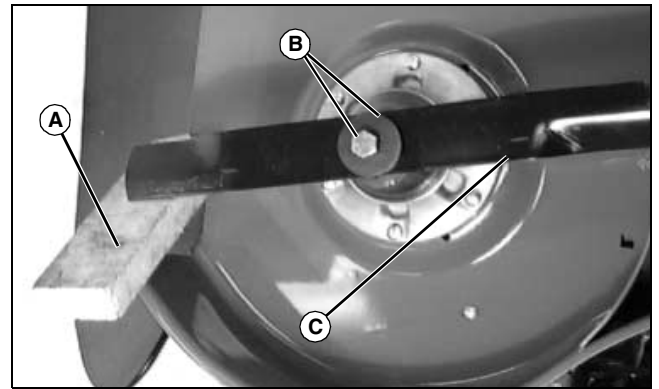
### Z-Trak

1. Raise mower deck to transport position.
2. Raise front of machine with a safe lifting device.
  - Support with jack stands and/or wooden blocks.

## Remove Old Blades



**CAUTION: Avoid injury! Blades are sharp. Always wear gloves when handling blades or working near blades.**

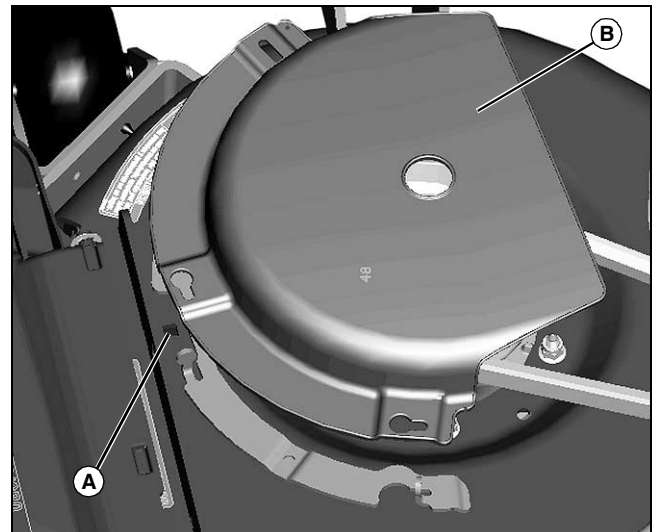


M63784

1. Clean underside of deck.
2. Use a wood block (A) wedged between blade and deck to keep blade from turning.
3. Remove mounting bolts and washers (B), and retain for mulch blade installation.
4. Remove original mower blades (C) and save for future use when mulching kit is not in use.

## Install Mulch Kit

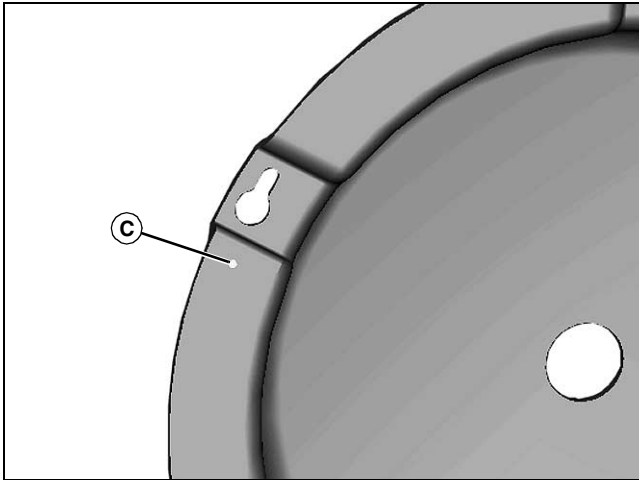
**NOTE: Square hole (A) is used for the mulch kit installation. For 48 in. deck applications, the right belt shield (B) needs to be trimmed for hardware used in square hole (A).**



MX43839

**Picture Note: 48 in. deck shown.**

1. To allow clearance for mulch kit hardware to be installed, 48 in. decks need a hole drilled in right belt shield (B):
  - With right belt shield (B) installed, mark bottom side of shield through square hole (A).



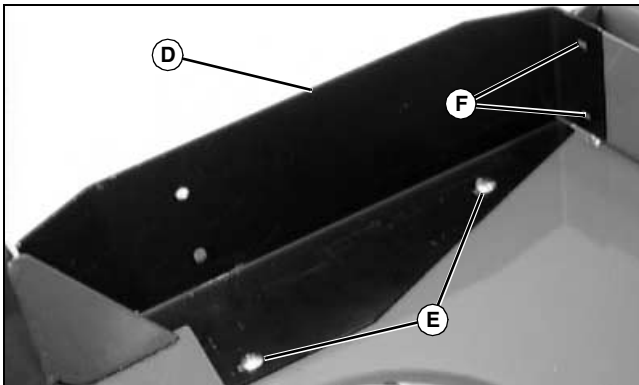
MX43840

- Remove shield and drill a 15.8 mm (5/8 in.) hole in bottom of shield at marked location (C).
- Install shield back on to deck.

**IMPORTANT: Avoid damage!**

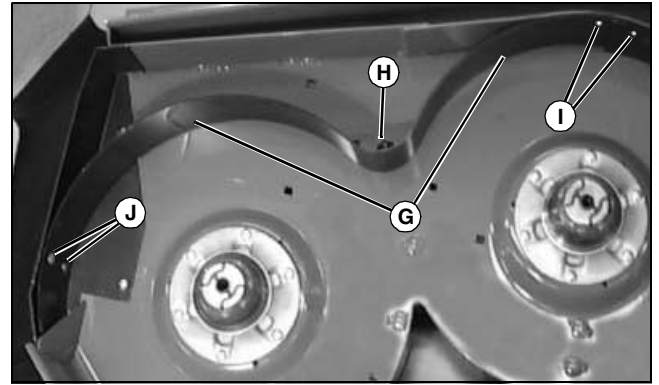
**Always install mulch kit attaching carriage bolts with round head facing toward blades and flange locknut on outside of deck. Never put flange locknut in path of blade or where grass can be caught by protruding threads.**

**Do not tighten any flange locknuts until blade-to-deflector clearance is checked.**



M63780

2. Install discharge chute plate (D) as shown using two M8x20 carriage bolts (E) installed from bottom and two M8x20 carriage bolts (F) through front plate. Install four flange locknuts, but do not tighten.

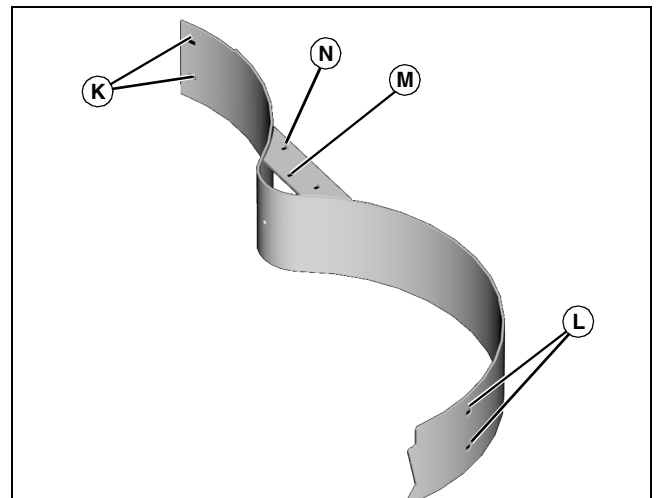


M63783

3. Install right mulch baffle (follow the appropriate instructions below for your mower deck).

**48 in. and 54 in. decks**

- Install right-hand mulch baffle (G) as shown with stud (H) inserted into hole in top of deck. Install flange locknut on top of deck, but do not tighten.
- Install two M8x25 carriage bolts (I) through left end of mulch baffle and into front plate. Install flange locknuts, but do not tighten.
- Install two M8x25 carriage bolts (J) through right end of mulch baffle and into discharge chute bracket. Install two M8 flange locknuts, but do not tighten.

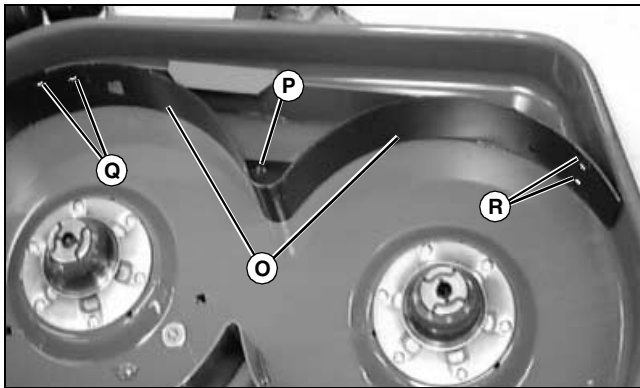


MX3571

**60 in. decks**

- Install two M8x20 carriage bolts through left end (K) of mulch baffle and into front plate of deck. Install flange locknuts, but do not tighten.
- Install two M8x20 carriage bolts through right end (L) of mulch baffle and into discharge chute bracket. Install flange locknuts, but do not tighten.
- **For all machines except compact utility tractors**  
Install M8x20 carriage bolt through hole (M) and through the deck. Install flange locknut, but do not tighten.
- **For compact utility tractors only**

Hold mulch baffle bracket flush to the underside of deck and drill an 8 mm hole through square hole (N). Attach with M8x20 carriage bolt and flange locknut, but do not tighten.



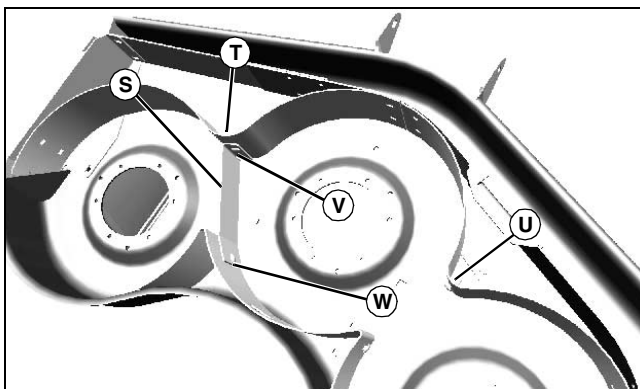
M63783a

4. Install left mulch baffle (O) as shown with stud (P) inserted into hole of deck. Install flange locknuts, but do not tighten.
5. Install two M8x25 carriage bolts (Q) through right end of mulch baffle and into front plate. Install flange locknuts, but do not tighten.

**NOTE: 48 in. and 54 in. Decks Only**

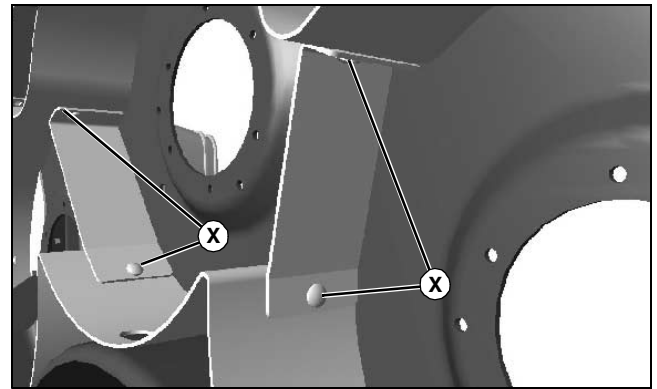
**For proper fit, spacer washers supplied in kit must be installed between front plate and mulch baffle hole (hole without welded spacer) when installing carriage bolts (R). Use two washers for 48 in. deck, one washer for 54 in. deck.**

6. Using spacer washers if required, install two M8x25 carriage bolts (R) through left end of mulch baffle and into front plate. Install two flange locknuts, but do not tighten.



MX21518

7. Install right chamber separator (S).
- NOTE: Hole (T) in right and hole (U) in left baffle may need to be drilled out slightly for hardware installation.**
8. Line up hole (T) in right baffle with the hole in the bend leg on chamber separator (V).
  9. Using chamber separator as a template, drill an 8 mm hole in the rear baffle (W).
  10. Repeat for the left side.

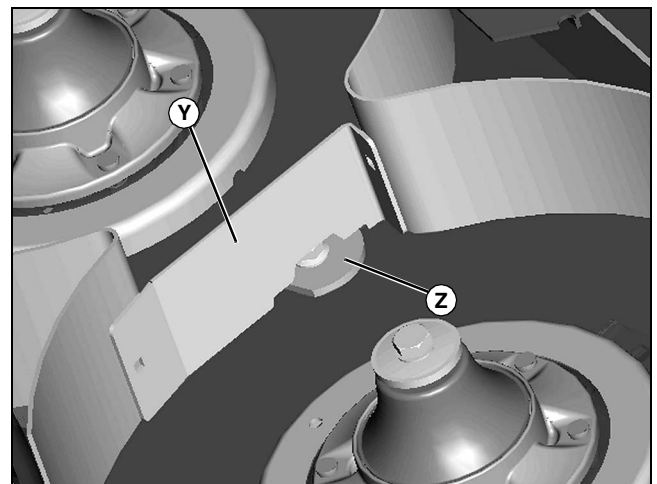


MX21515

**Picture Note: 48 and 54 in. decks shown.**

11. For installation on 48 and 54 in. decks, install both chamber separators using M8x25 carriage bolts (X) and flange locknuts, but do not tighten.

**NOTE: For Z900 series machines with a 60 in. deck, there is a different left separator (Y) with a cutout area to clear hardware (Z).**



MX43841

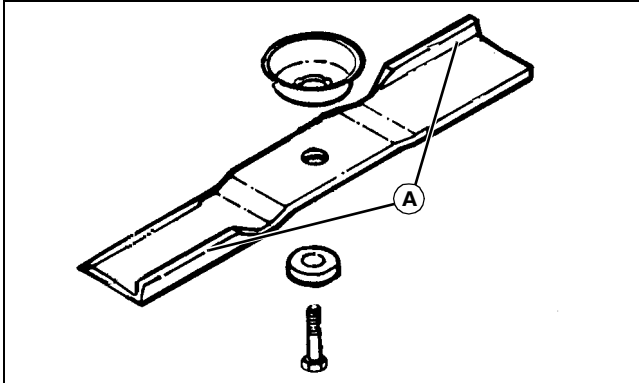
**Picture Note: Z900 series machine with a 60 in. deck shown.**

12. On Z900 series machines with a 60 in. deck, install right chamber separator and left chamber separator (Y) using M8x25 carriage bolts and flange locknuts, but do not tighten.

## Install Mulch Blades

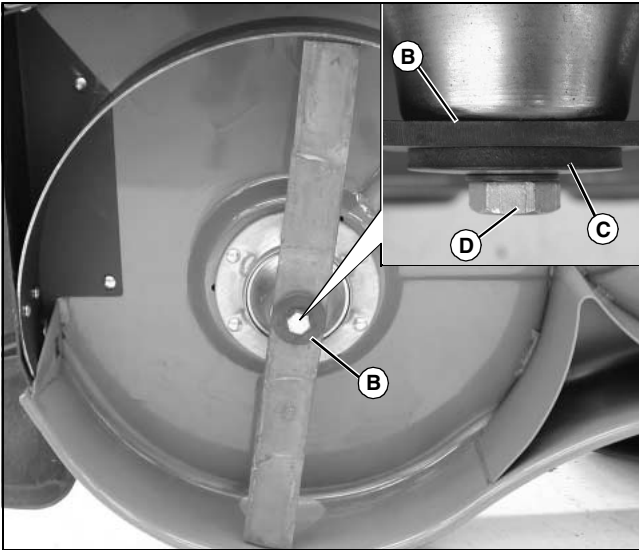


**CAUTION: Avoid injury! Blades are sharp. Always wear gloves when handling blades or working near blades.**



M74256a

1. Install mulching blades into spindles with wings (A) facing up to deck.



MX7849, MX7846

2. Install large washer (B) with concave side facing blade. Install small flat washer (C) and blade bolt (D). Hand tighten blade bolts on spindles.
3. Rotate blades by hand and check blade-to-mulch clearance.
4. Adjust mulch baffles as required and tighten all mulch baffle hardware and end plate bracket to 24 N•m (18 lb-ft).
5. Place wood block between blade and deck and tighten blade bolts to 122 N•m (90 lb-ft).
6. Check blade-to-mulch baffle clearance again before installing deck.
7. Install mower deck on machine or rotate blades to the mow position (front mowers).
8. Connect the negative battery cable and spark plug wire.