

Standard Canopy Kit

LVB25331, LVB25332, and RE190376



JOHN DEERE

INSTALLATION INSTRUCTIONS

R138806 26APR18 (ENGLISH)

5220, 5225, 5320, 5320N, 5325, 5325N, 5420, 5420N, 5425,
5425N, 5520, 5520N, 5525, 5525N, and 5625 Isolated
Open Operators Station, and Straddle Mount Tractors;
2032R, 2038R, 3025E, 3032E, 3038E, 3033R, 3039R,
3046R, 4105, 4044M, 4044R, 4052M, 4052R, 4066M,
4066R, 5200, 5300, 5400, 5500, 5105, 5205, 5210, 5310,
5410, and 5510 Open Station Tractors

John Deere Augusta Works
R138806 (26APR18)

PRINTED IN U.S.A.
COPYRIGHT © 2018
DEERE & COMPANY
Moline, Illinois

All rights reserved.
A John Deere ILLUSTRATION™ Manual
Previous Editions
Copyright © 2005, 2007, 2016

R138806-19-26APR18

Introduction

IMPORTANT: Read through this instruction thoroughly and familiarize yourself with the tractor before installing the canopy.

This instruction demonstrates procedures for installing standard canopy kit LVB25331 on Isolated Open

Operators Station Tractors (5220, 5225, 5320, 5325, 5420, 5425, 5520, 5525 and 5625); and standard canopy kit LVB25332 on Open Station Tractors (5105, 5205, 5200, 5300, 5400, 5500, 5210, 5310, 5410, 5510), and Straddle Mount Tractors (5220, 5225, 5320, 5325, 5420, 5425, 5520, 5525 and 5625).

OUO1030,0000795 -19-07FEB07-1/1

Recognize Safety Information

This is a safety-alert symbol. When you see this symbol on your machine or in this manual, be alert to the potential for personal injury.

Follow recommended precautions and safe operating practices.



T81389—UN—28JUN13

DX,ALERT -19-29SEP98-1/1

Understand Signal Words

DANGER; The signal word DANGER indicates a hazardous situation which, if not avoided, will result in death or serious injury.

WARNING; The signal word WARNING indicates a hazardous situation which, if not avoided, could result in death or serious injury.

CAUTION; The signal word CAUTION indicates a hazardous situation which, if not avoided, could result in minor or moderate injury. CAUTION may also be used to alert against unsafe practices associated with events which could lead to personal injury.

A signal word—DANGER, WARNING, or CAUTION—is used with the safety-alert symbol. DANGER identifies the most serious hazards. DANGER or WARNING safety signs are located near specific hazards. General



precautions are listed on CAUTION safety signs. CAUTION also calls attention to safety messages in this manual.

TS187—19—30SEP88

DX,SIGNAL -19-05OCT16-1/1

Follow Safety Instructions

Carefully read all safety messages in this manual and on your machine safety signs. Keep safety signs in good condition. Replace missing or damaged safety signs. Be sure new equipment components and repair parts include the current safety signs. Replacement safety signs are available from your John Deere dealer.

There can be additional safety information contained on parts and components sourced from suppliers that is not reproduced in this operator's manual.

Learn how to operate the machine and how to use controls properly. Do not let anyone operate without instruction.

Keep your machine in proper working condition. Unauthorized modifications to the machine may impair the function and/or safety and affect machine life.



TS201—UN—15APR13

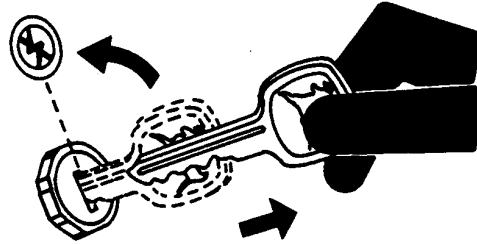
If you do not understand any part of this manual and need assistance, contact your John Deere dealer.

DX,READ -19-16JUN09-1/1

Park Machine Safely

Before working on the machine:

- Lower all equipment to the ground.
- Stop the engine and remove the key.
- Disconnect the battery ground strap.
- Hang a "DO NOT OPERATE" tag in operator station.



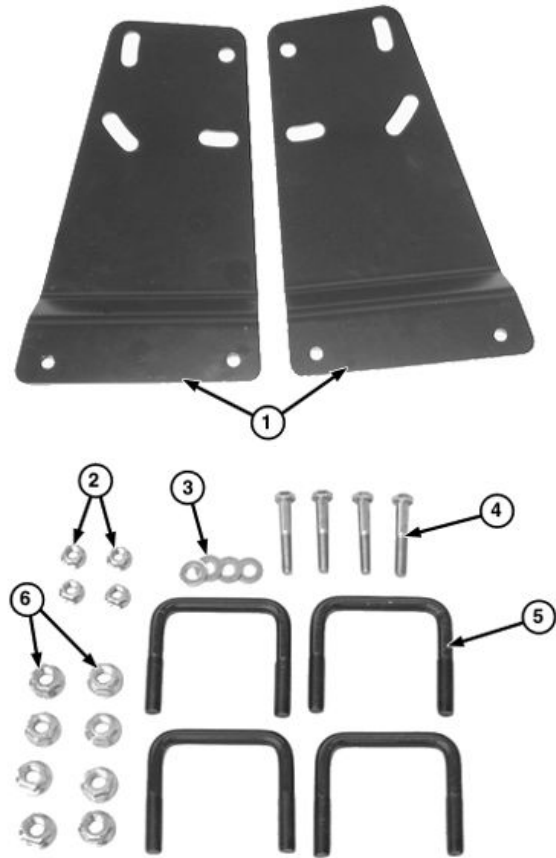
TS230—UN—24MAY89

DX,PARK -19-04JUN90-1/1

Kit Parts List

Item	Description	Quantity
1	Canopy Support Bracket	2
2	Flange Head Lock Nut (3/8 in.)	4
3	Flat Washer (3/8 in.)	4
4	Cap Screw (3/8 x 2-1/4 in.)	4
5	U-Bolt	4
6	Flange Head Lock Nut (1/2 in.)	8

NOTE: The canopy is not included in this kit. Order canopy separately through your John Deere dealer.



LV12327 —UN—01MAR05

LV12328 —UN—01MAR05

OOU1030,0000797 -19-07FEB07-1/1

INSTALL CANOPY SUPPORT BRACKETS ON 2032R, 2038R, 3025E, 3032E, 3038E, 3033R, 3039R, 3046R, 4105, 4044M, 4044R, 4052M, 4052R, 4066M, 4066R, 5220, 5225, 5320, 5325, 5420, 5425, 5520, 5525 and 5625 Isolated Open Operator Platform Tractors; 5500 and 5510 Open Station Tractors; 5520, 5525 and 5625 Straddle Mount Tractors—Only

NOTE: Always install canopy support bracket on inboard side of canopy frame with pivot hole facing front of canopy.

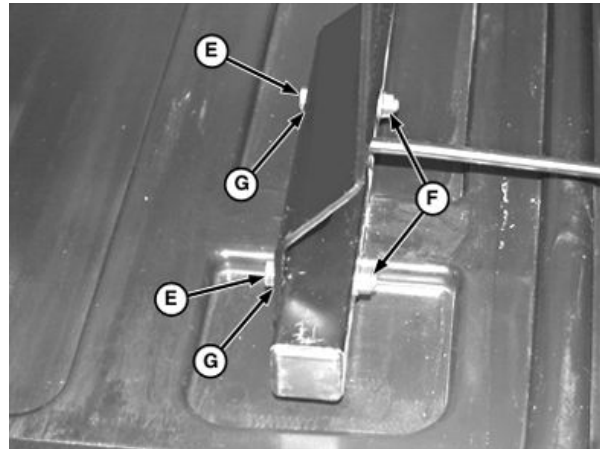
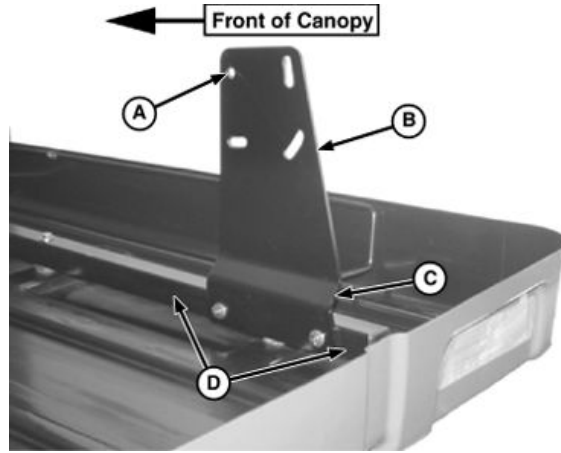
1. Position canopy support bracket (B) on inboard side of canopy frame (D) with the offset (C) of bracket facing outward and pivot hole (A) facing the front of canopy
2. Install two 3/8 x 2-1/4 in. cap screws (E) and flat washers (G). Make sure heads of cap screws (E) are facing inward.
3. Install two 3/8 in. flange head lock nuts (F) and tighten to specification.

Specification

Flange Head Lock Nut—Torque..... 34 N•m (25 lb-ft)

4. Repeat steps above for opposite side of canopy.

- | | |
|---|---|
| A—Pivot Hole | E—Cap Screws (Item 4 on Parts List) |
| B—Canopy Support Bracket (Item 1 on Parts List) | F—Flange Head Lock Nut (Item 2 on Parts List) |
| C—Offset | G—Flat Washers (Item 3 on Parts List) |
| D—Canopy Frame | |



LV12329 —UN—05MAR05

LV12330 —UN—01MAR05

UP00731,0000345 -19-26SEP16-1/1

INSTALL CANOPY SUPPORT BRACKETS ON 5105, 5205, 5200—5500, 5210—5510 Open Station; and 5220, 5225, 5320, 5325, 5420, 5425, 5520, 5525 and 5625 Straddle Mount Tractors

NOTE: Always install canopy support bracket on inboard side of canopy frame with pivot hole facing front of canopy.

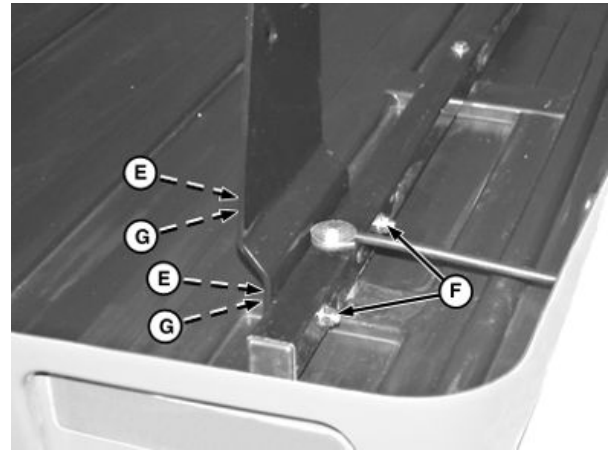
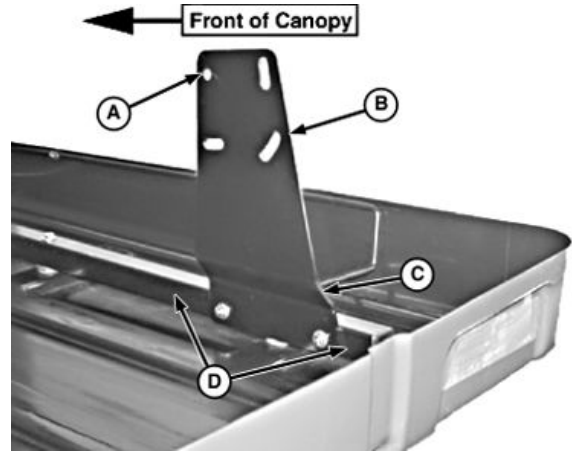
1. Position canopy support bracket (B) on inboard side of canopy frame (D) with the offset (C) of bracket facing inward and pivot hole (A) facing the front of canopy
2. Install two 3/8 x 2-1/4 in. cap screws (E) and flat washers (G). Make sure heads of cap screws (E) are facing inward.
3. Install two 3/8 in. flange head lock nuts (F) and tighten to specification.

Specification

Flange Head Lock Nut—Torque..... 34 N•m (25 lb-ft)

4. Repeat steps above for opposite side of canopy.

- | | |
|---|---|
| A —Pivot Hole | E —Cap Screws (Item 4 on Parts List) |
| B —Canopy Support Bracket (Item 1 on Parts List) | F —Flange Head Lock Nut (Item 2 on Parts List) |
| C —Offset | G —Flat Washers (Item 3 on Parts List) |
| D —Canopy Frame | |



LV12443 —UN—05MAR05

LV12444 —UN—05MAR05

OOU1030,0000798 -19-07FEB07-1/1

INSTALL CANOPY

NOTE: A 2 in. x 4 in. wood block temporarily positioned on top of ROPS will be used as a spacer between the canopy and ROPS during installation. This will also aid in leveling the canopy.

1. Position a 2 in. x 4 in. x 30 in. long wood block (B) on top of ROPS (C). Position canopy (A) over ROPS until under side of canopy is resting on wood block.
2. Install two U-bolts (E) and four 1/2 in. flange head lock nuts (F). Do not fully tighten nuts until canopy angle is leveled. Repeat this step for opposite side.
3. Remove wood block.

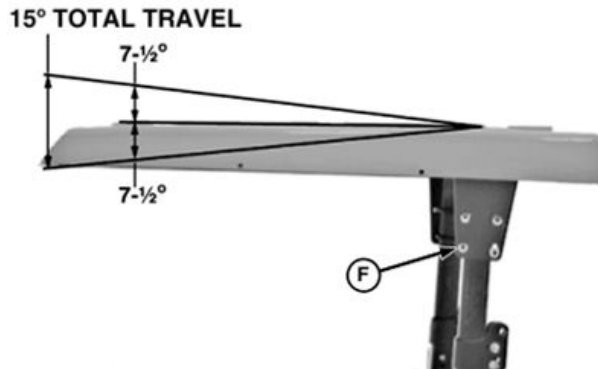
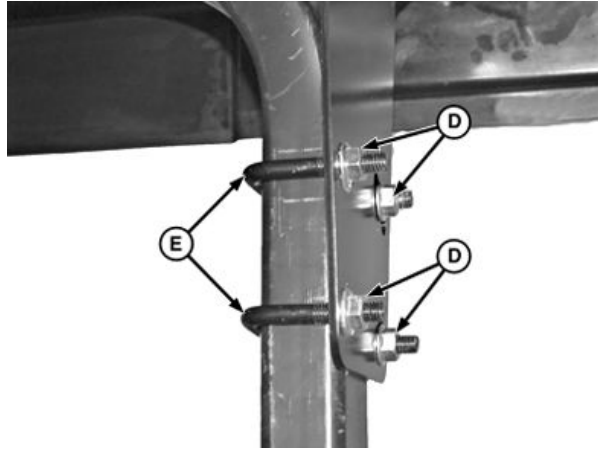
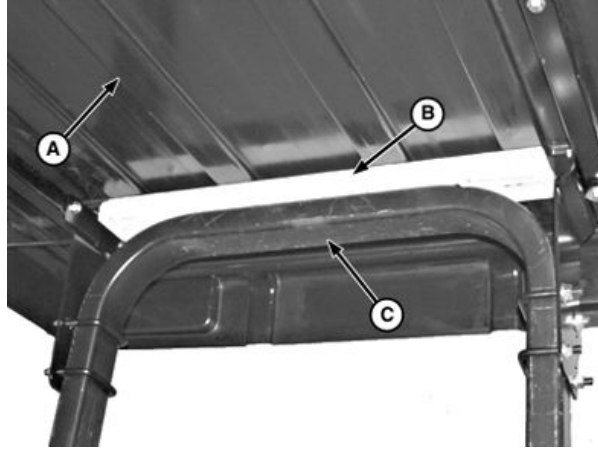
NOTE: Recommended canopy position is slightly tilted upward in front to aid in water run off. Total adjustment travel of canopy is 15°.

4. Position canopy to desired angle and tighten four nuts (F) on both sides to specification.

Specification

Flange Head Lock Nut—Torque..... 122 N•m (90 lb-ft)

- | | |
|----------------------------|--|
| A—Canopy | D—Flange Head Lock Nut (Item 6 on Part List) |
| B—2 in. x 4 in. Wood Block | E—U-Bolts (Item 5 on Parts List) |
| C—ROPS | F—Nuts |



LV12332—UN—05MAR05

LV12333—UN—05MAR05

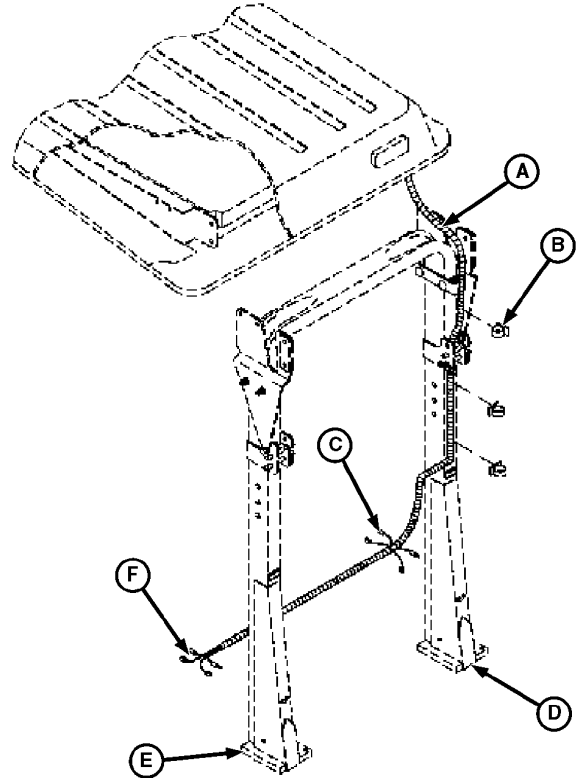
LV12334—UN—10MAR05

OOU1030,000079B -19-07FEB07-1/1

CONNECT WIRING HARNESS

1. Route canopy wiring harness (A) along right ROPS post and secure with wiring harness clips (B).
2. Place right-hand warning lamp connectors (C) by the right-hand ROPS base (D). Route the left-hand warning lamp connectors (F) to the left-hand ROPS base (E), following the main tractor wiring harness.
3. Locate and disconnect green and black wires from the main tractor wiring harness located near the left-hand ROPS base (E).
4. Connect green and black wires from the canopy wiring harness to connectors of the main tractor wiring harness.
5. Repeat steps 3 and 4 near the right-hand ROPS base (D).
6. Secure canopy wiring harness to the main tractor wiring harness.

A—Wiring Harness	D—Right Hand ROPS Base
B—Wiring Harness Clips	E—Left Hand ROPS Base
C—Right Hand Warning Lamp Connectors	F—Left Hand Warning Lamp Connectors



LV12335—UN—01MAR05

OJQ1030,000079C -19-07FEB07-1/1

