

key	part no.	description	key	part no.	description
1	M806419	OIL FILTER - ENGINE	7	AM123716	RELAY
2	MIU800645	FUEL FILTER	8	M121961	TIRE - REAR
3	M131803	AIR FILTER - INNER	9	DMU210362	TIRE - CASTER
4	M131802	AIR FILTER - OUTER	10	AM123508	FILLER CAP
5	M809983	BELT - FAN	11	AM125504	KEY
6	SW47-60	BATTERY - DRY	12	TCA15075	IGNITION SWITCH

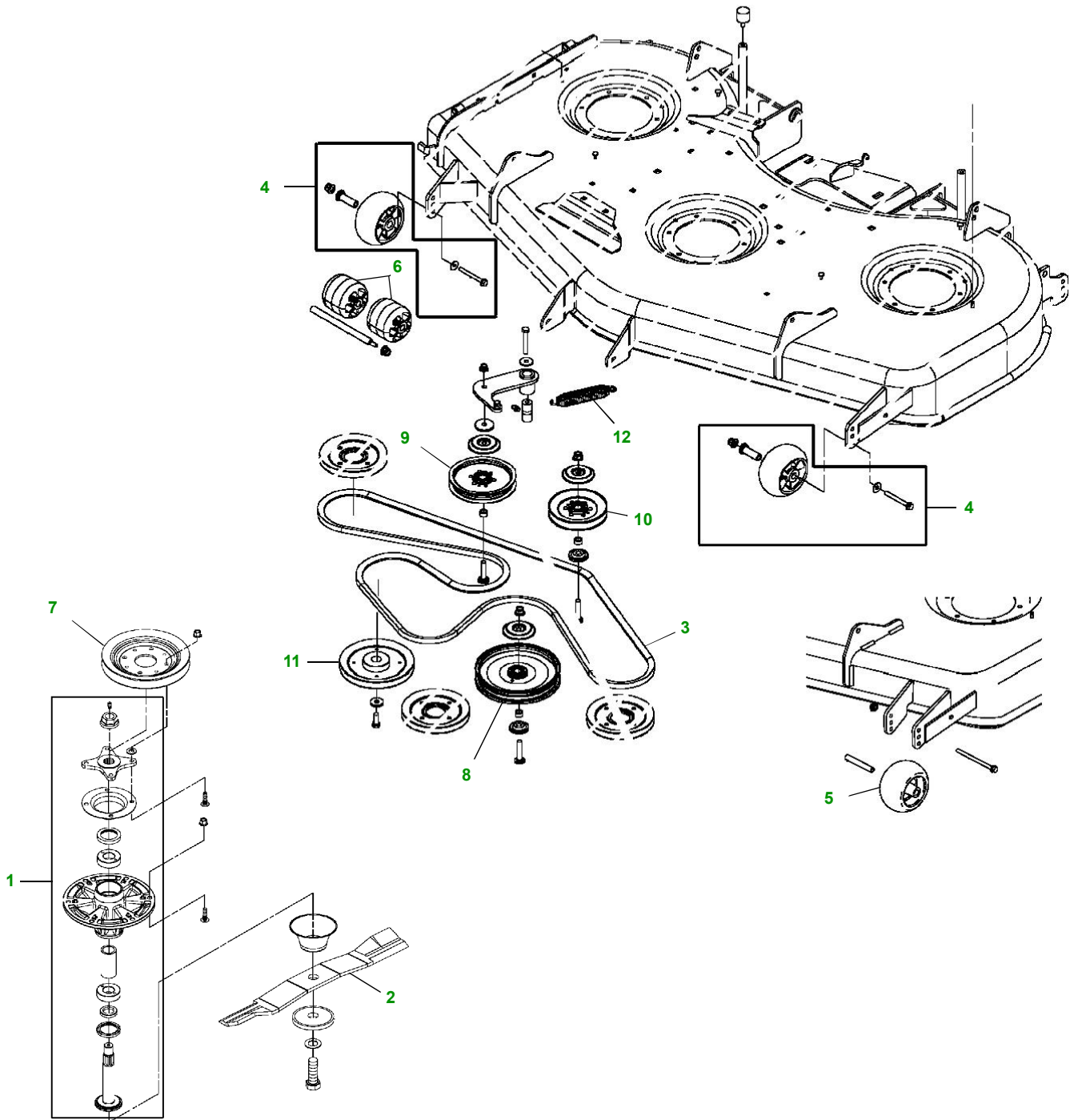
Parts Needed in First 250 hours of Operation

Qty	Part No	Item	Capacity	Interval In Hours
3	M806419	Engine Oil Filter		15/200
1	TY22061	2 1/2 gal Plus 50 15W40	2.1qt	15/200
3	TY6341	Multi Purpose SD Polyurea Grease (14 oz)		As Needed

"As Needed" Parts

Qty	Part Number	Item
1	M131053	Hydraulic Oil Filter
1	TY22061	2 1/2 gal Plus 50 15W40 Transmission Oil - Cap 2.5 gal
1	TY16034	1 gal Cool-Gard Concentrate - Cap 2.9 qt
1	M131803	Air Filter - Inner
1	M131802	Air Filter - Outer
1	MIU800645	Fuel Filter
1	M809983	Belt - Fan
1	AM123508	Filler Cap
1	AM130907	Mower Deck Leveling Gauge
1	TY26183	Grease Gun
3	TCU15881	Blades - 60 in - Side Discharge
3	M128485	Blades - 60 in - Rear Discharge
3	TCU15882	Blades - 72 in - Side Discharge
1	DMU210479	Belt - 60 in - Side Discharge
1	DMU210479	Belt - 60 in - Rear Discharge
1	DMU210306	Belt - 72 in - Side Discharge

60 in. / 72 in. decks (997)

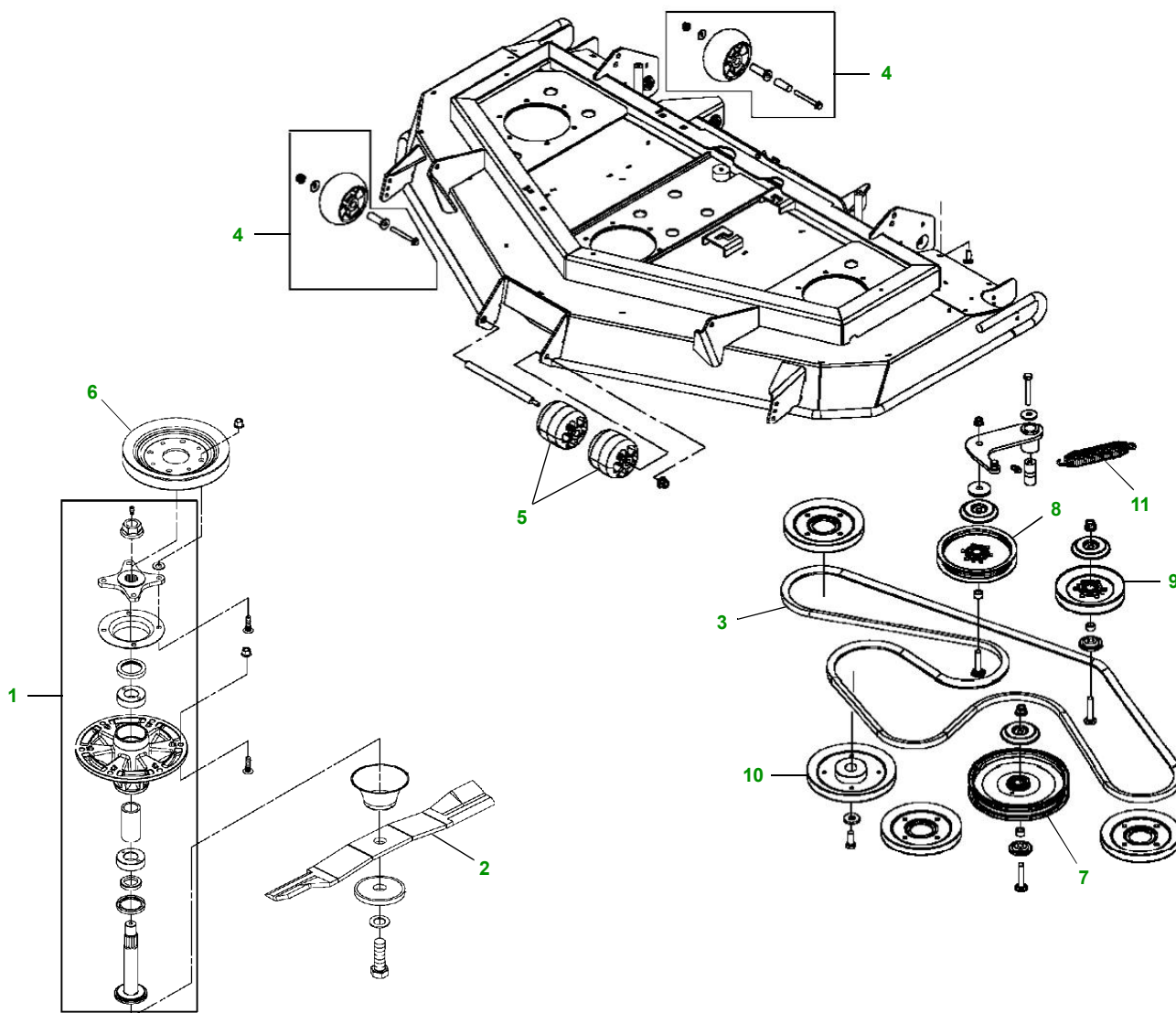


key	part no.	description	key	part no.	description
1	TCA51058	SPINDLE ASSEMBLY (3)	7	DMU210345	IDLER (1) (60")
2	TCU15881	BLADE - STD (3) (60")		TCU51522	PULLEY (3) (72")
	M128485	BLADE - MED LIFT (3) (60")	8	TCA17539	IDLER (1)
	M133381	BLADE - LO LIFT (3) (60")	9	DMA210404	IDLER (1) (60")
	TCU15882	BLADE - STD (3) (72")		TCA17539	IDLER (72")
3	DMU210479	BELT (1) (60")	10	TCA17540	IDLER (1) (60")
	DMU210306	BELT (1) (72")		AN15237	IDLER (72")
4	AM133602	GAGE WHEEL KIT (4) (S/N —020000)	11	DMA210184	PULLEY (1) (60")
		(2) (S/N 020001—)		DMA210185	PULLEY (1) (72")
5	TCU18744	WHEEL (2) (S/N 020001—)	12	TCU16582	EXTENSION SPRING (1) (60")
6	M115245	ROLLER (2)			

"As Needed" Parts

Qty	Part Number	Item
1	TCA51058	Spindle Assembly
3	TCU15881	Blade - 60 in - Side Discharge
3	M128485	Blade - Med Lift - 60in
3	M133381	Blade - Lo Lift - 60in
3	TCU15882	Blade - 72 in - Side Discharge
1	DMU210479	Belt - 60 in - Side Discharge
1	DMU210306	Belt - 72 in - Side Discharge

60 in. rear discharge deck (997)



key	part no.	description	key	part no.	description
1	TCA51058 SPINDLE ASSEMBLY (3)	7	TCA17539IDLER (1)
2	M128485BLADE - STD (3)	8	DMA210404IDLER (1)
3	DMU210479BELT (1)	9	TCA17540IDLER (1)
4	AM133602GAGE WHEEL KIT (4)	10	DMA210184PULLEY (1)
5	M115245ROLLER (2)	11	TCU16582EXTENSION SPRING (1)
6	DMU210345IDLER (1)			

"As Needed" Parts

Qty	Part Number	Item
3	TCA51058	Spindle Assembly
3	M128485	Blades - 60 in - Rear Discharge
1	DMU210479	Belt - 60 in - Rear Discharge