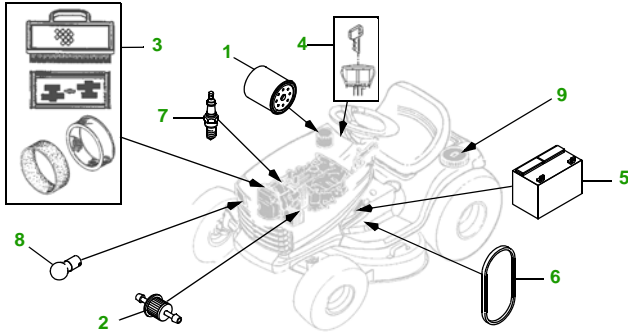


MAINTENANCE REMINDER SHEET

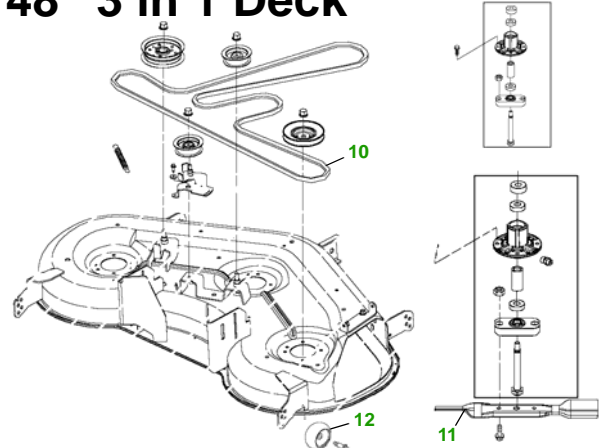
L120 / L130 with 48" 3 in 1 Deck

Lawn Tractor



Tractor S/N

48" 3 in 1 Deck



Deck S/N

| Key | Part No. | Description |
|-----|----------|--|
| 1 | AM125424 | OIL FILTER |
| | GY20577 | OIL FILTER (PACKAGE) |
| 2 | AM116304 | FUEL FILTER (ENGINE MARKED 31F707-0129-E1) |
| | AM107314 | FUEL FILTER (ENGINE MARKED 31F707-0112-E1, 31F707-0114-E1) |
| | GY20709 | FUEL FILTER (PACKAGE) |
| 3 | GY20575 | AIR CLEANER (L120) (PACKAGE) |
| | GY20576 | AIR FILTER (KIT ONLY) (L130) (PACKAGE) |
| 4 | GY20680 | KEY - PADDED (PACKAGE) |
| | GY20074 | IGNITION SWITCH |
| 5 | TY25878 | BATTERY |

| Key | Part No. | Description |
|-----|----------|--|
| 6 | GX20006 | BELT - TRACTION DRIVE (L120 & L130) |
| 7 | M78543 | SPARK PLUG |
| 8 | AD2062R | HEADLIGHT BULB |
| 9 | GX22166 | FUEL CAP |
| 10 | GX20305 | BELT (PACKAGE) |
| | GX21833 | BELT (PACKAGE)(2005 MODELS) |
| 11 | GX20250 | BLADE - STANDARD |
| | GX20819 | BLADE - MULCH |
| | GY20568 | BLADE - KIT (PKG)(PACKAGED QTY - 3 BLADES) |
| 12 | GX10168 | GAGE WHEEL |

Service Recommendations

| Qty | Part No | Item | Qty or Capacity | Change Interval in Hours |
|-----|----------------------|---|-----------------|--------------------------|
| 10 | AM125424 | Engine Oil Filter | 1 | Every 25 Hours |
| 20 | TY22029 or TY22076 | 1 Qt. Engine Oil Turf Gard @ 10W30 2 1/2 Gal. Engine Oil Turf Gard @ 10W30 | 2.0 qt | Every 25 Hours |
| 10 | AM116304 or AM107314 | Fuel Filter | 1 | Every 25 Hours |
| 20 | M78543 | Spark Plug | 2 | Every 25 Hours |
| 2 | GX20305 | Belt - Mower deck | 1 | 100/200 |

"As Needed" Parts

| Qty | Part No | Item |
|-----|---------|----------------------------|
| 1 | GY20575 | Air Cleaner - L120 |
| 1 | GY20576 | Air Filter - L130 |
| 3 | GX20250 | Blade - Standard |
| 3 | GX20819 | Blade - Mulching |
| 1 | GX20568 | Blade Kit (Pkg of 3) |
| 1 | GX20006 | Belt - Traction Drive |
| 1 | GX20305 | Belt - Mower |
| 1 | GX21833 | Belt - Mower (2005 Models) |
| 1 | GY20680 | Key Padded |
| 1 | GX22166 | Fuel Cap |
| 1 | TY15272 | Mower Deck Leveling Gauge |
| 1 | TY15410 | Grease Gun |

FOR ON-LINE PARTS ASSISTANCE:

• www.deere.com

- Click on **Residential**
- Click on **Parts** to:
- Click on...



- **View Parts Catalogs** to look-up part numbers
- **JDParts** to order parts on-line from your dealer
- **Valuable Parts Coupons** for discounts at your dealer
- **Coolants, Oils & Lubricants** to learn about our quality fluids
- **Replacement Parts - The Quality Story** tells you 'why' John Deere branded parts are superior

FOR ON-LINE SERVICE ASSISTANCE:

• www.deere.com

- Click on **Residential**
- Click on **Services & Support**
- Click on **Service Solutions**



- Click on **Mobile Maintenance** for Ready To Mow AT HOME Service
- Click on **John Deere Service Plans** for extended warranty and free pick-up and delivery of your tractor

OTHER SITES:

• Home and Workshop Products

• www.deere.com

• Click on **Residential**

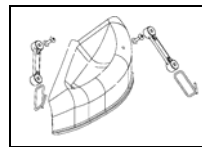
• Under "All Residential Products" click on **Home & Workshop Products**

• **John Deere Credit**

• Go to www.johndeerecredit.com for John Deere Revolving Credit to find your finance solution

• **John Deere Gifts!!**

• Go to www.johndeeregifts.com to stop by John Deere's "General Store" !!



Mulch Cover Kit GY20417

Dealer Name
Contact Name
Dealer Phone No



Home Maintenance Kit

| Unit | Kit Number |
|------|------------|
| L120 | LG230 |
| L130 | LG199 |

